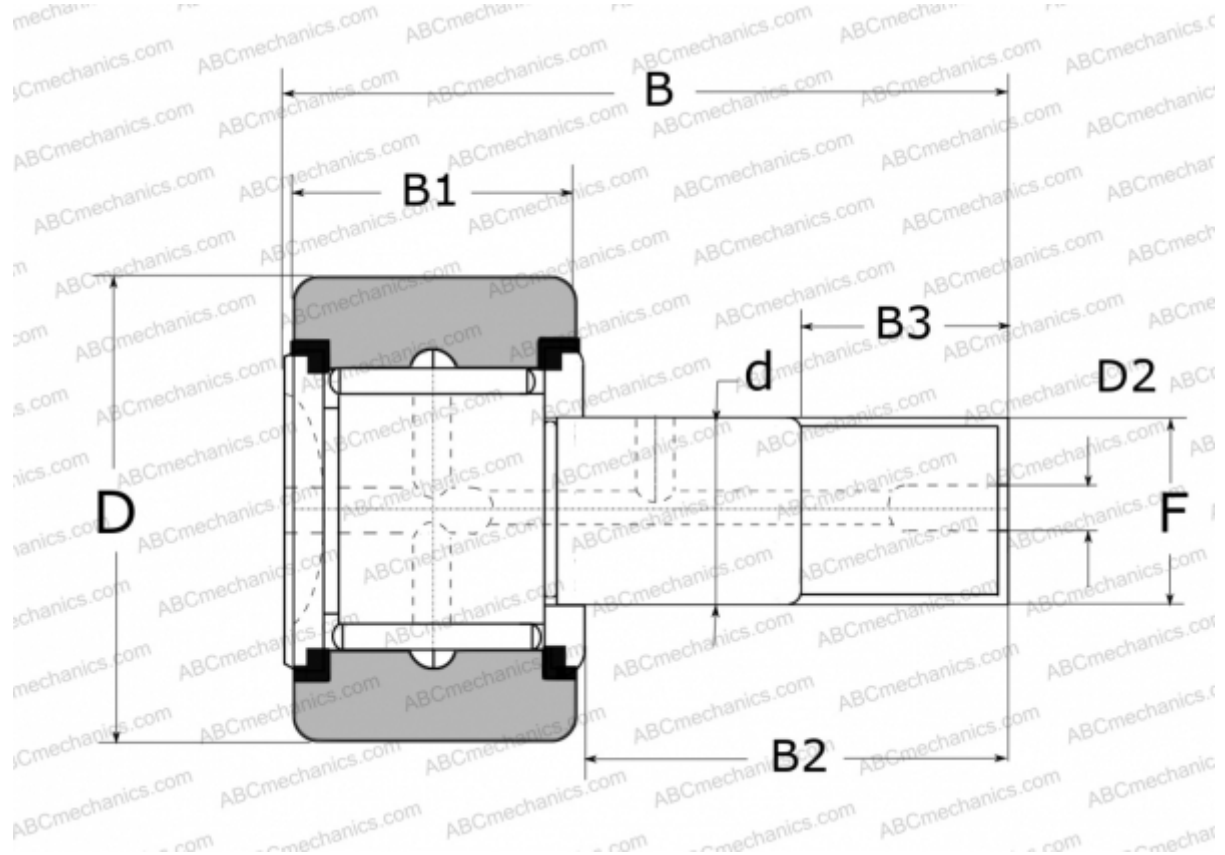


## CRS40R NSK

Cam followers

TYPE: Roller bearings, Stud type track rollers, With axial guidance, full complement bearing, with seal, with thrust washer, outer ring has a spherical outside surface, type CRS..R (NSK), inch size



### Technical specification

#### DIMENSIONS, MM

d	25,400
D	63,500
D2	4,800
B	96,900
B1	38,100
B2	57,150
B3	28,600
F	1-14

**WEIGHT, KG** 1,150

**MANUFACTURER** [NSK](#)

#### REPLACES

CRS-40 R