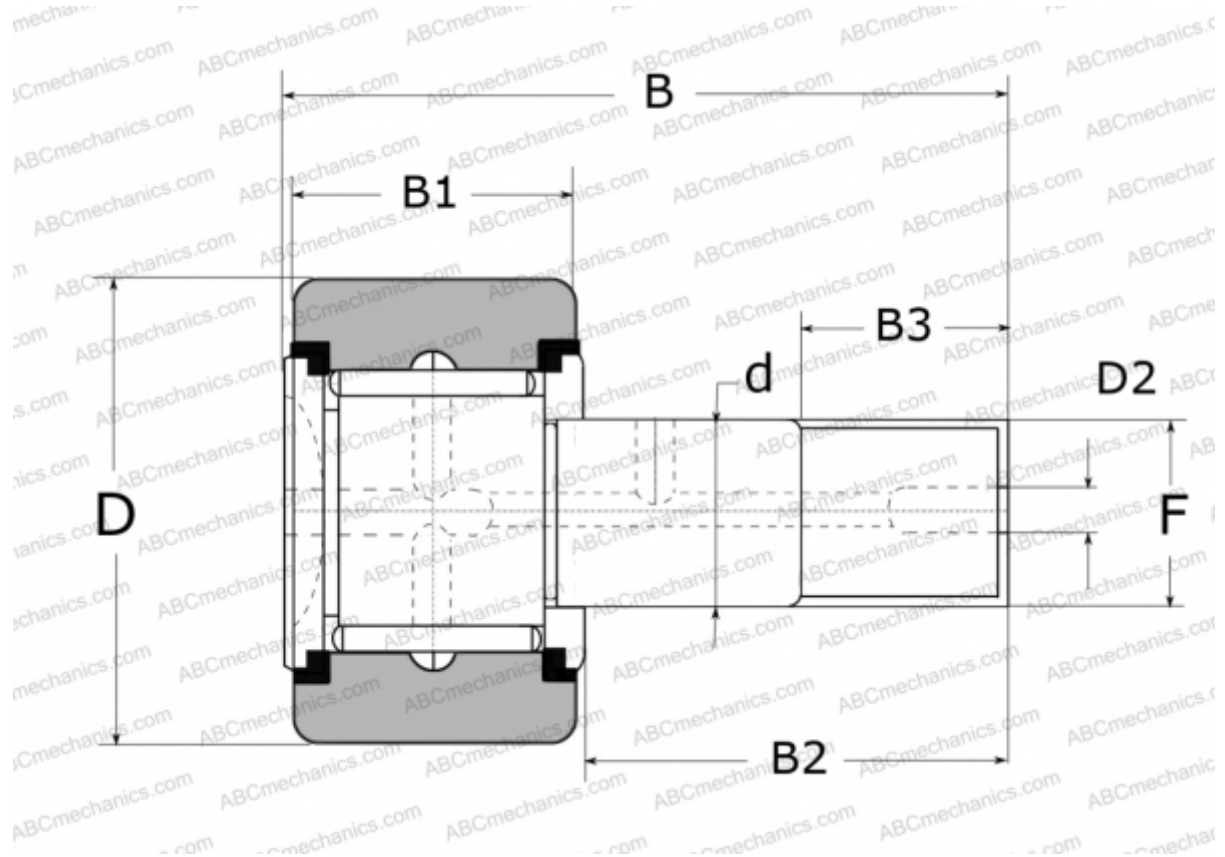


## CRS64R NSK

Cam followers

TYPE: Roller bearings, Stud type track rollers, With axial guidance, full complement bearing, with seal, with thrust washer, outer ring has a spherical outside surface, type CRS..R (NSK), inch size



### Technical specification

#### DIMENSIONS, MM

d	38,100
D	101,600
D2	6,400
B	147,700
B1	57,150
B2	88,900
B3	38,100
F	1 1/2-12

**WEIGHT, KG** 4,300

**MANUFACTURER** [NSK](#)

#### REPLACES

CRS-64 R