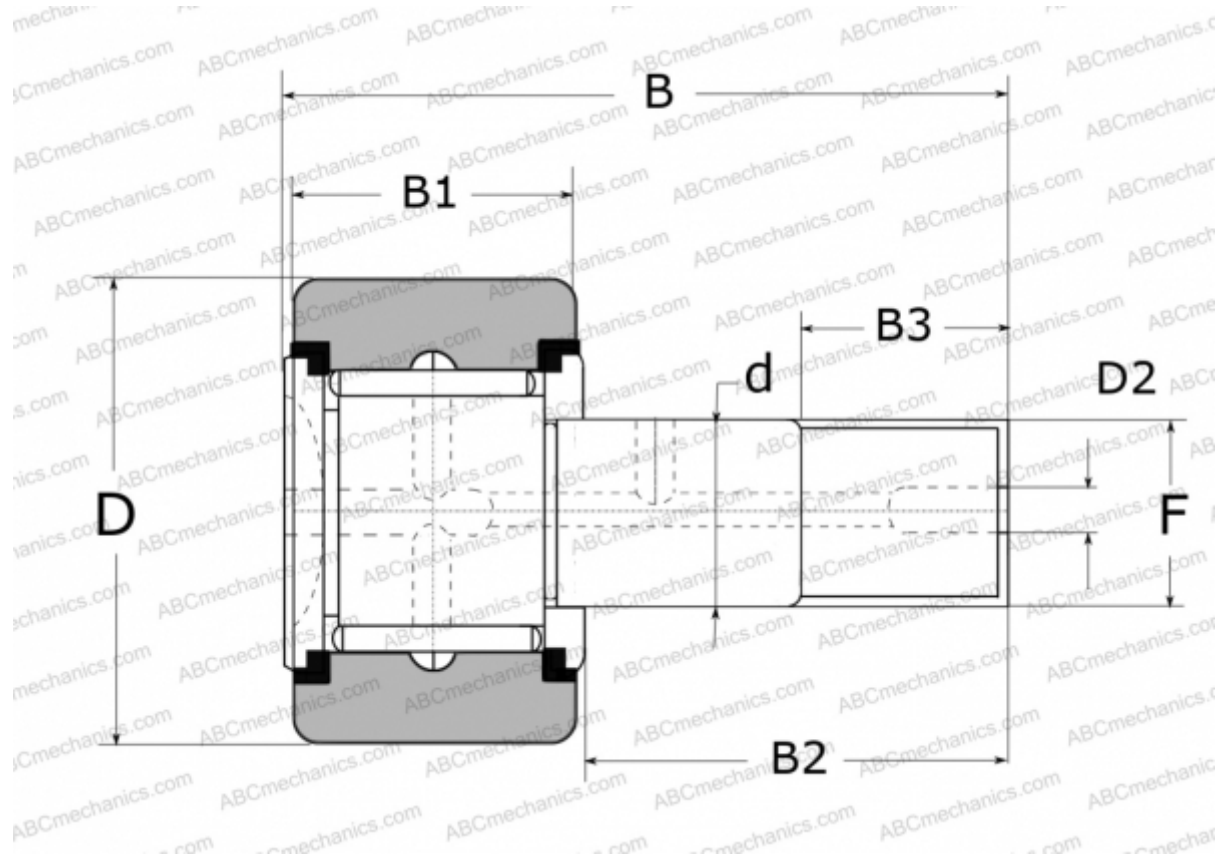


## CRS16 NSK

Cam followers

TYPE: Roller bearings, Stud type track rollers, With axial guidance, full complement bearing, with seal, with thrust washer, outer ring has a cylindrical outside surface, type CRS (NSK), inch size



### Technical specification

#### DIMENSIONS, MM

d	11,112
D	25,400
D2	4,800
B	42,400
B1	15,880
B2	25,400
B3	12,700
F	7/16-20

**WEIGHT, KG** 0,073

**MANUFACTURER** [NSK](#)

#### REPLACES

CRS-16