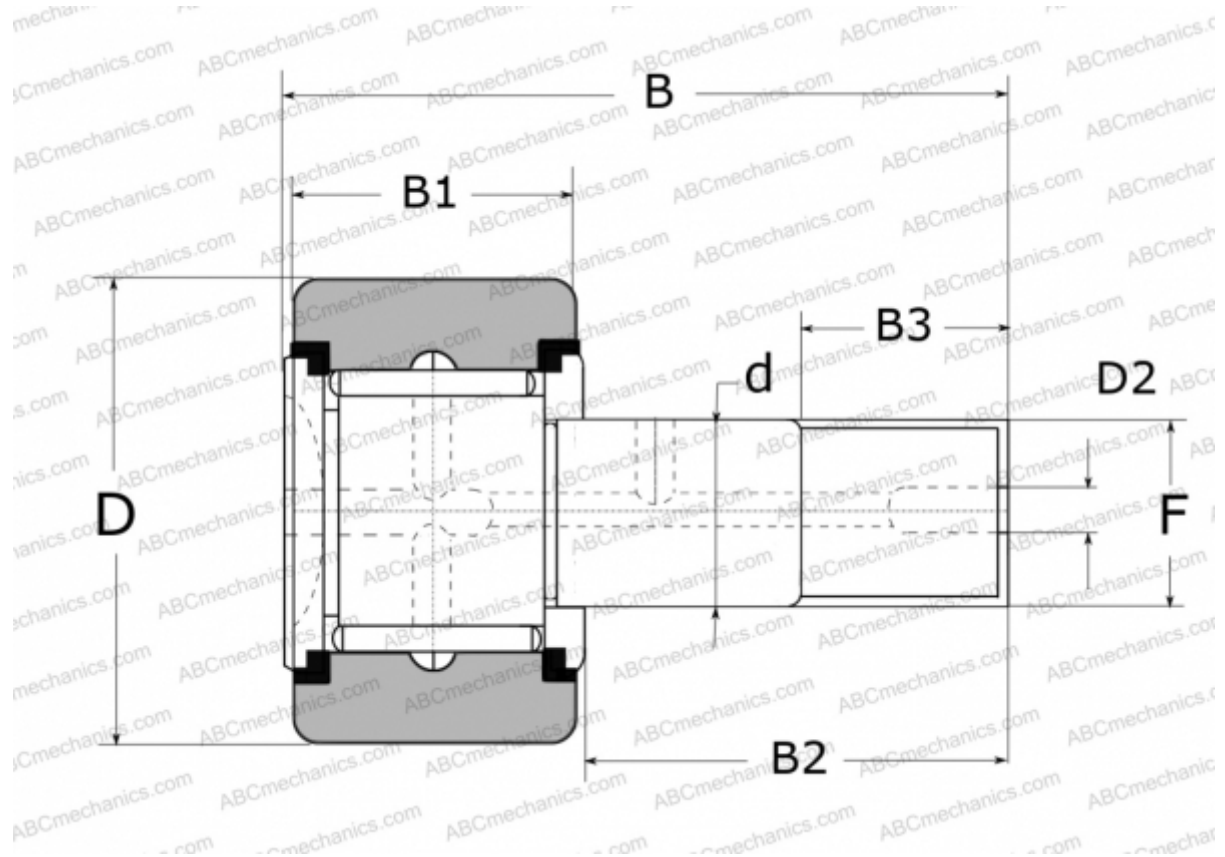


CRS40 NSK

Cam followers

TYPE: Roller bearings, Stud type track rollers, With axial guidance, full complement bearing, with seal, with thrust washer, outer ring has a cylindrical outside surface, type CRS (NSK), inch size



Technical specification

DIMENSIONS, MM

| | |
|----|--------|
| d | 25,400 |
| D | 63,500 |
| D2 | 4,800 |
| B | 96,900 |
| B1 | 38,100 |
| B2 | 57,150 |
| B3 | 28,600 |
| F | 1-14 |

WEIGHT, KG 1,150

MANUFACTURER [NSK](#)

REPLACES

CRS-40