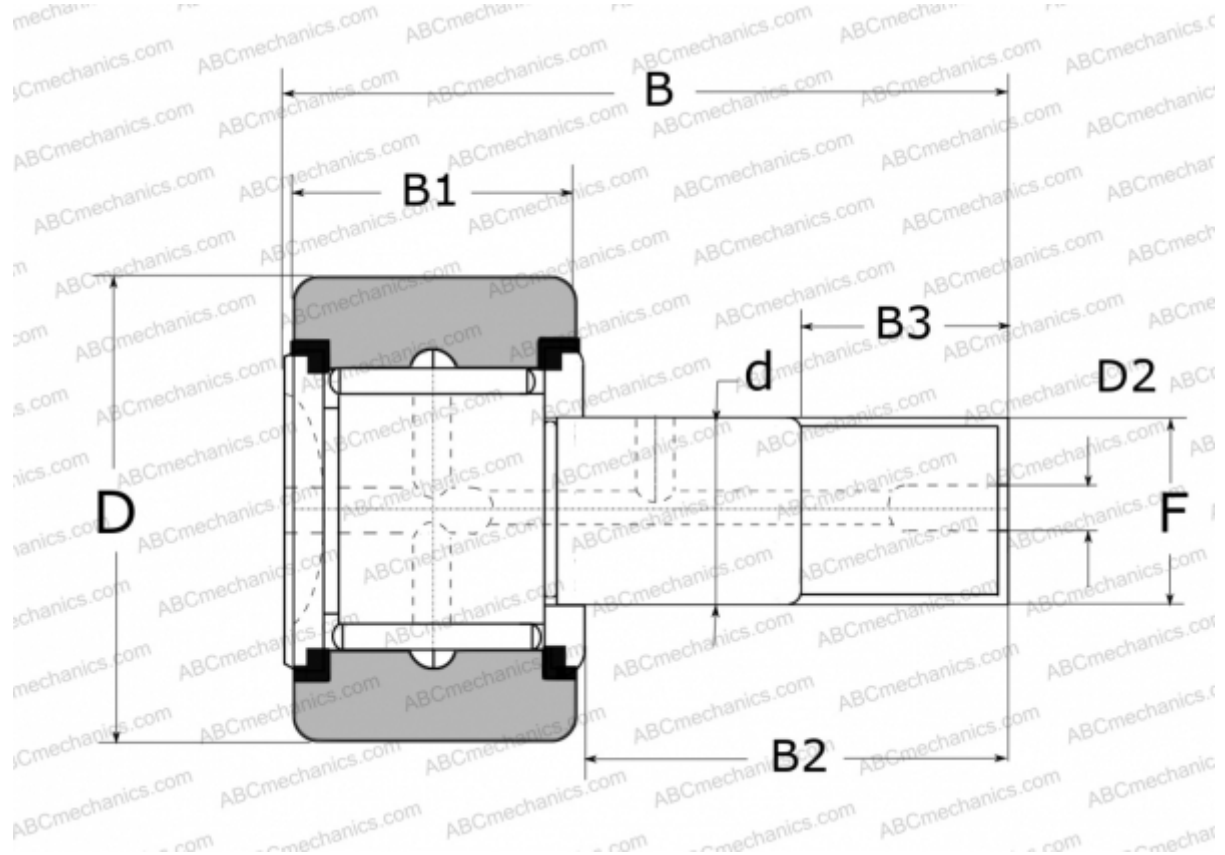


CRS64 NSK

Cam followers

TYPE: Roller bearings, Stud type track rollers, With axial guidance, full complement bearing, with seal, with thrust washer, outer ring has a cylindrical outside surface, type CRS (NSK), inch size



Technical specification

DIMENSIONS, MM

d	38,100
D	101,600
D2	6,400
B	147,700
B1	57,150
B2	88,900
B3	38,100
F	1 1/2-12

WEIGHT, KG 4,300

MANUFACTURER [NSK](#)

REPLACES

CRS-64