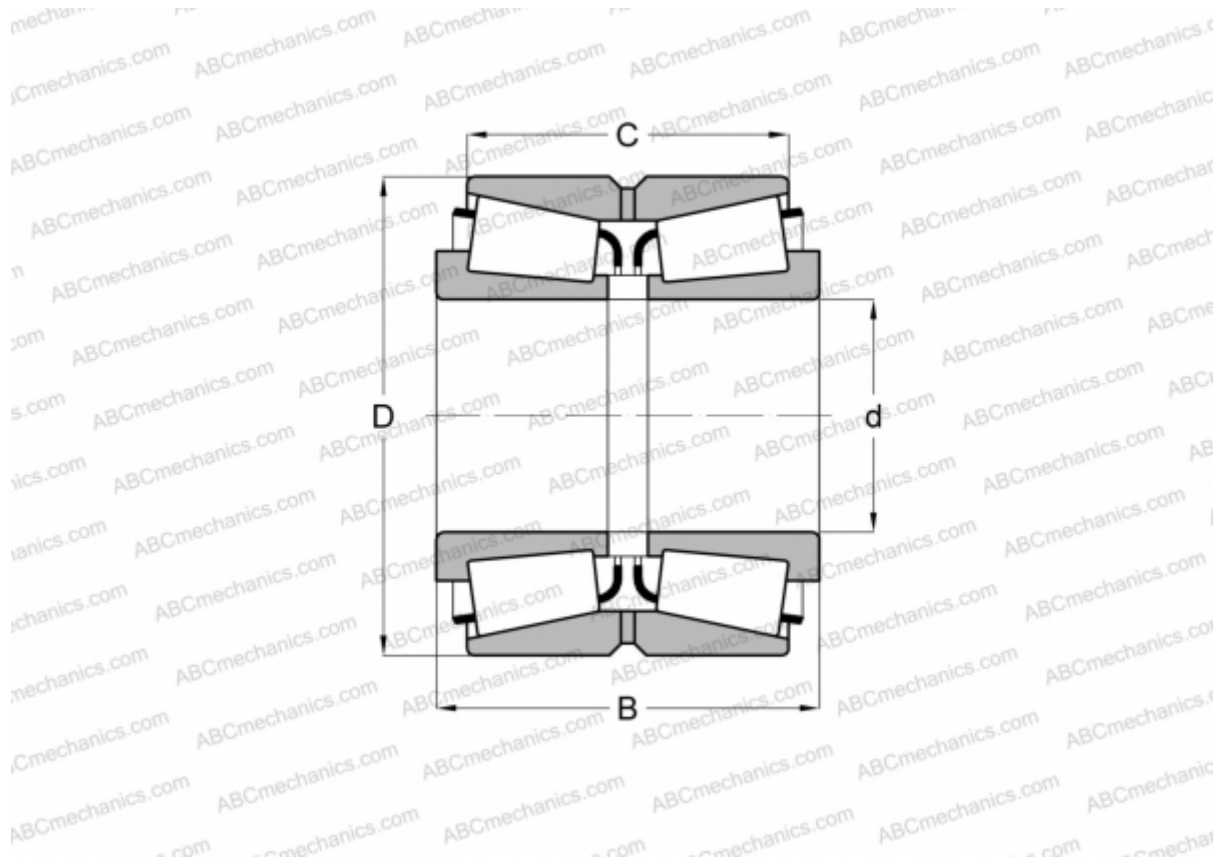


744A/742D TIMKEN

Tapered roller bearings

TYPE: Roller bearings, Tapered, Double row, Type TDO, double outer ring



Technical specification

DIMENSIONS, MM

d	69,850
D	155,575
B	101,600
C	85,725

WEIGHT, KG 9,320

MANUFACTURER [TIMKEN](#)