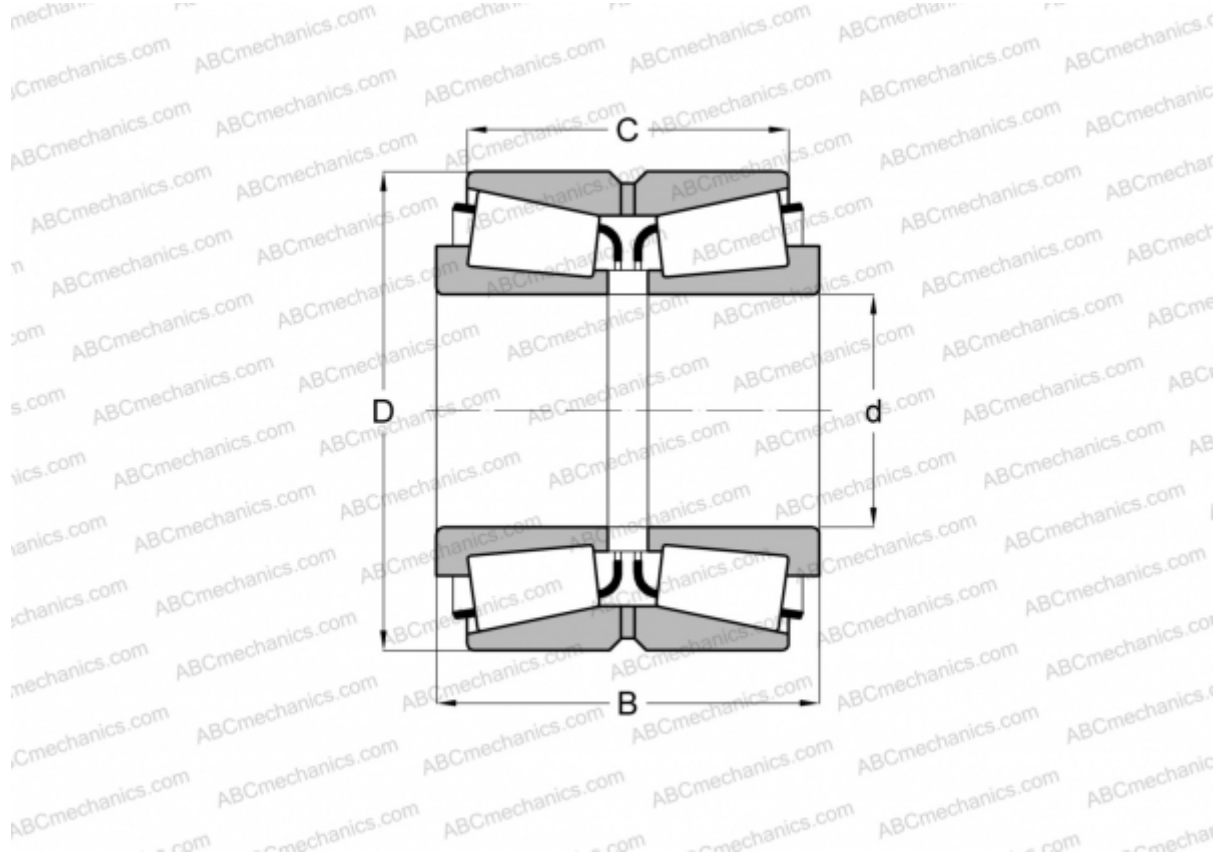


NP578395/NP508551 TIMKEN

Tapered roller bearings

TYPE: Roller bearings, Tapered, Double row, Type TDO, double outer ring



Technical specification

DIMENSIONS, MM

d	938,212
D	1270,000
B	406,200
C	266,500

WEIGHT, KG 1361,120

MANUFACTURER [TIMKEN](#)