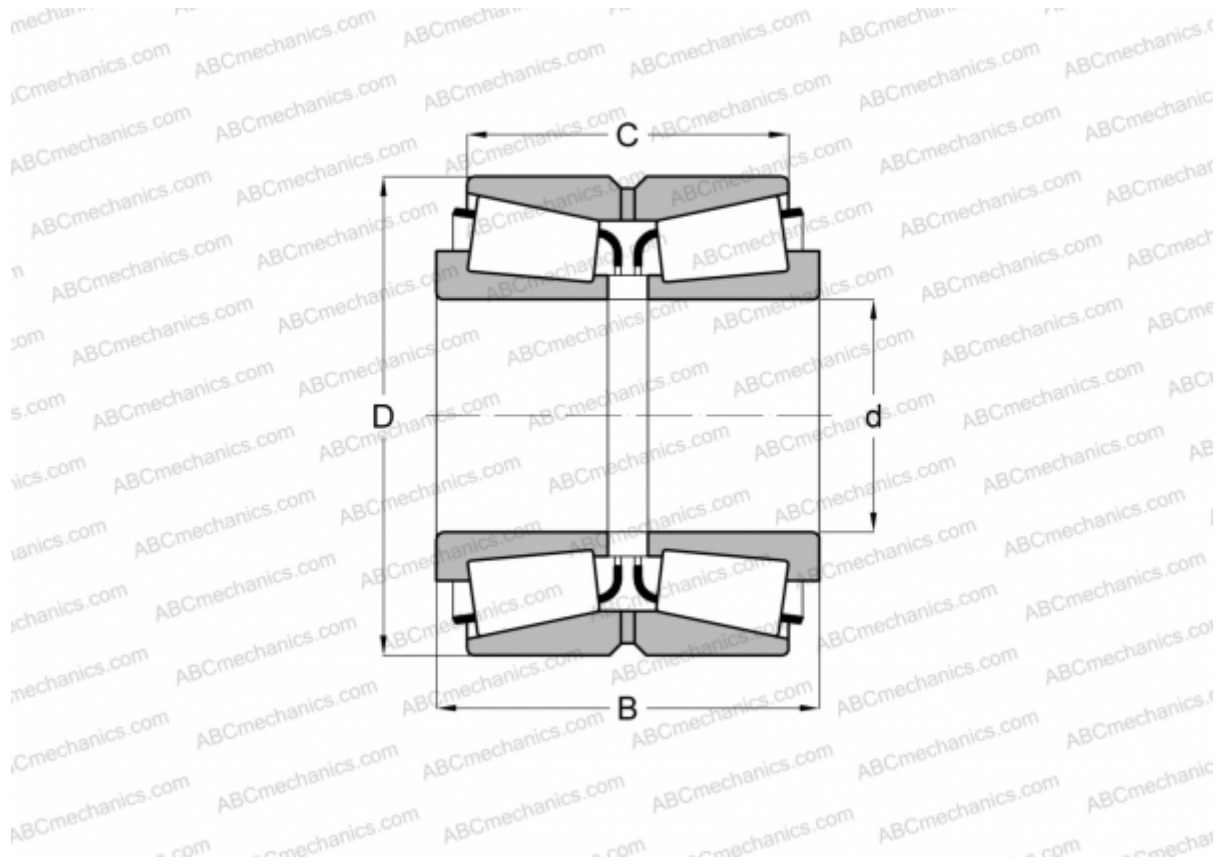


LL789849/LL789810D TIMKEN

Tapered roller bearings

TYPE: Roller bearings, Tapered, Double row, Type TDO, double outer ring



Technical specification

DIMENSIONS, MM

d	1784,350
D	2006,600
B	241,300
C	177,800

WEIGHT, KG 978,660

MANUFACTURER [TIMKEN](#)