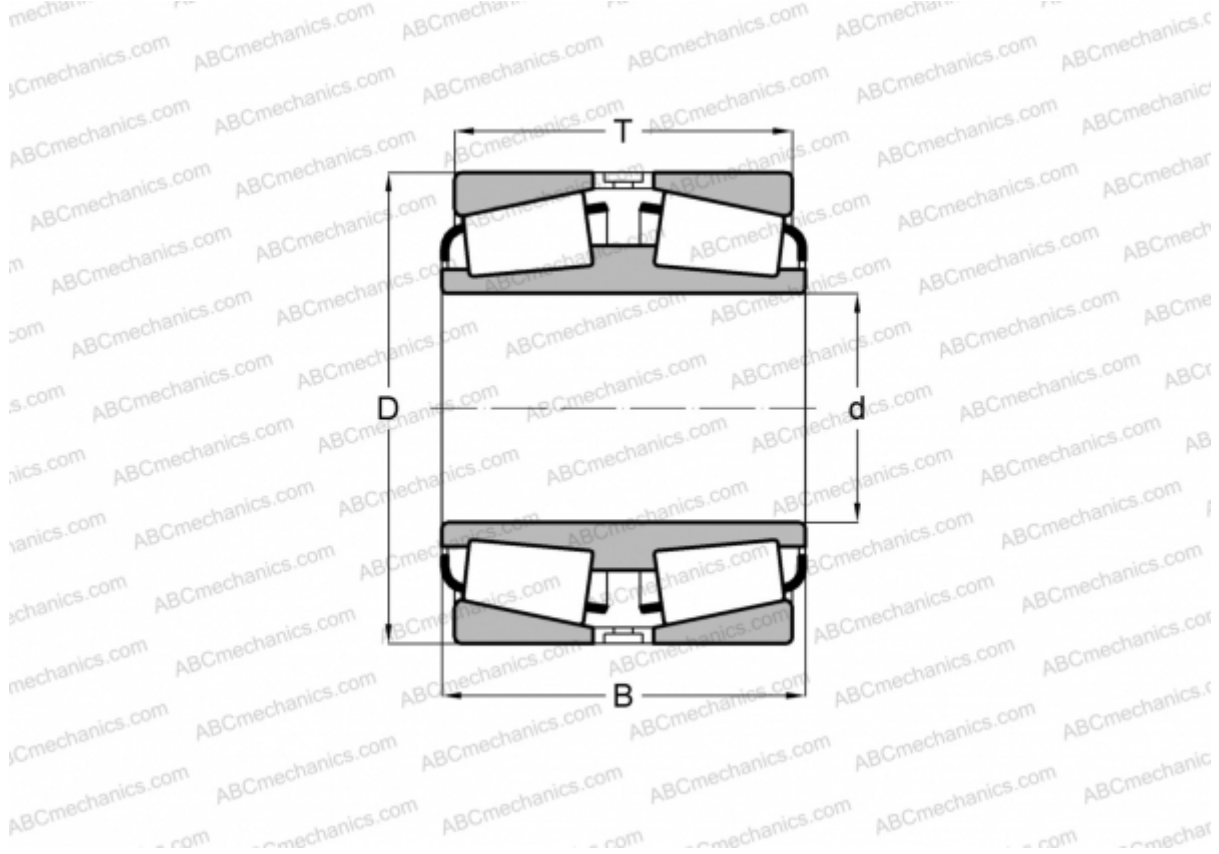


## 375D/374 TIMKEN

Tapered roller bearings

TYPE: Roller bearings, Tapered, Double row, Type TDI, double inner ring



### Technical specification

#### DIMENSIONS, MM

d	50,800
D	93,264
B	53,188
T	50,013

**WEIGHT, KG** 1,400

**MANUFACTURER** [TIMKEN](#)