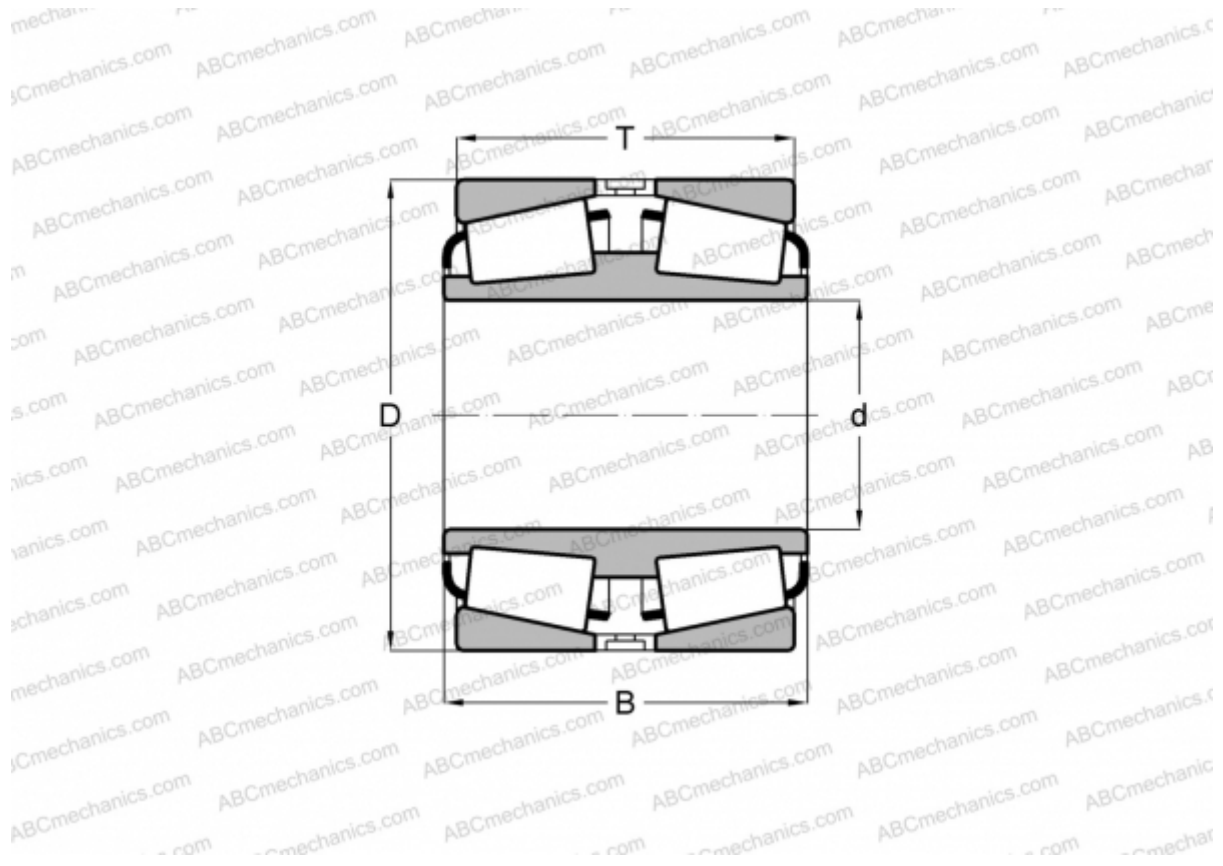


HH255149D/HH255110 TIMKEN

Tapered roller bearings

TYPE: Roller bearings, Tapered, Double row, Type TDI, double inner ring



Technical specification

DIMENSIONS, MM

d	279,400
D	457,200
B	244,475
T	244,475

WEIGHT, KG 169,040

MANUFACTURER [TIMKEN](#)