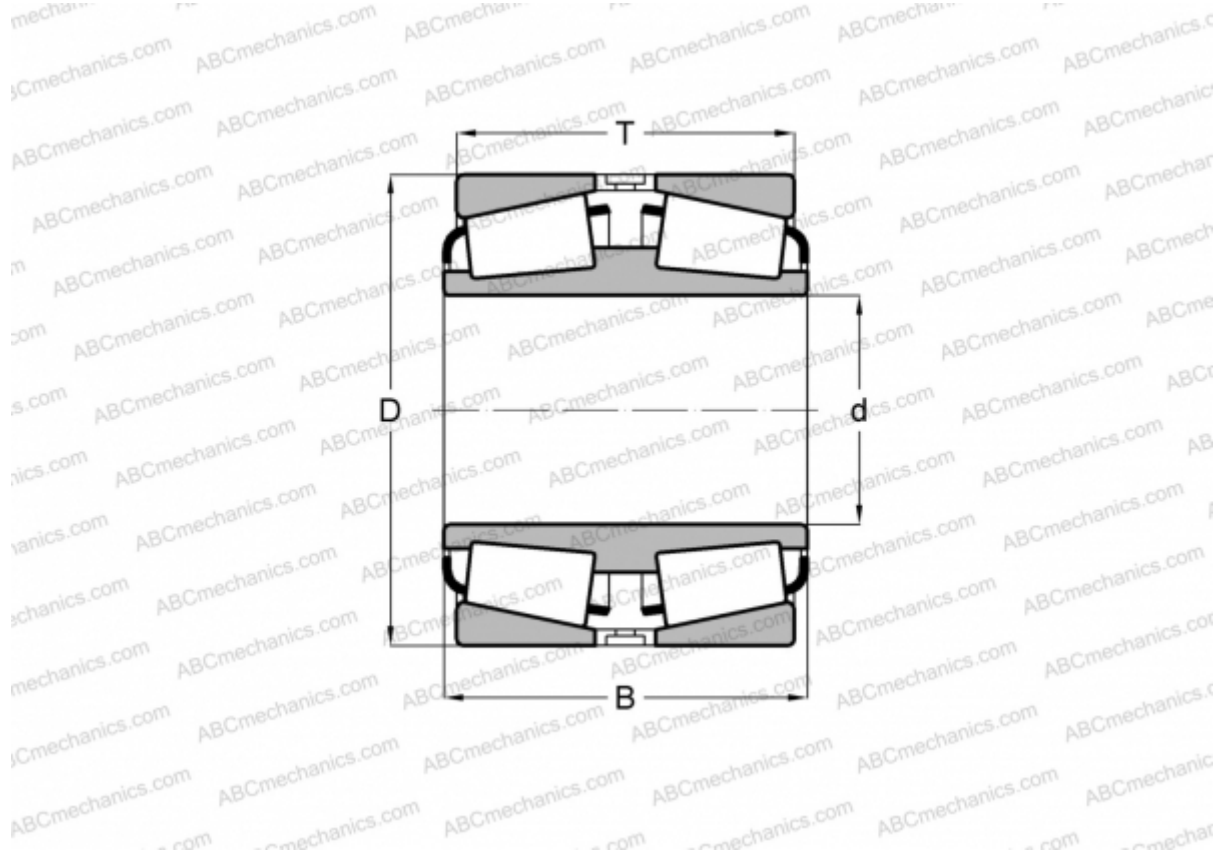


## LM654644D/LM654610 TIMKEN

Tapered roller bearings

TYPE: Roller bearings, Tapered, Double row, Type TDI, double inner ring



### Technical specification

#### DIMENSIONS, MM

d	279,578
D	380,898
B	117,475
T	117,475

**WEIGHT, KG** 40,560

**MANUFACTURER** [TIMKEN](#)