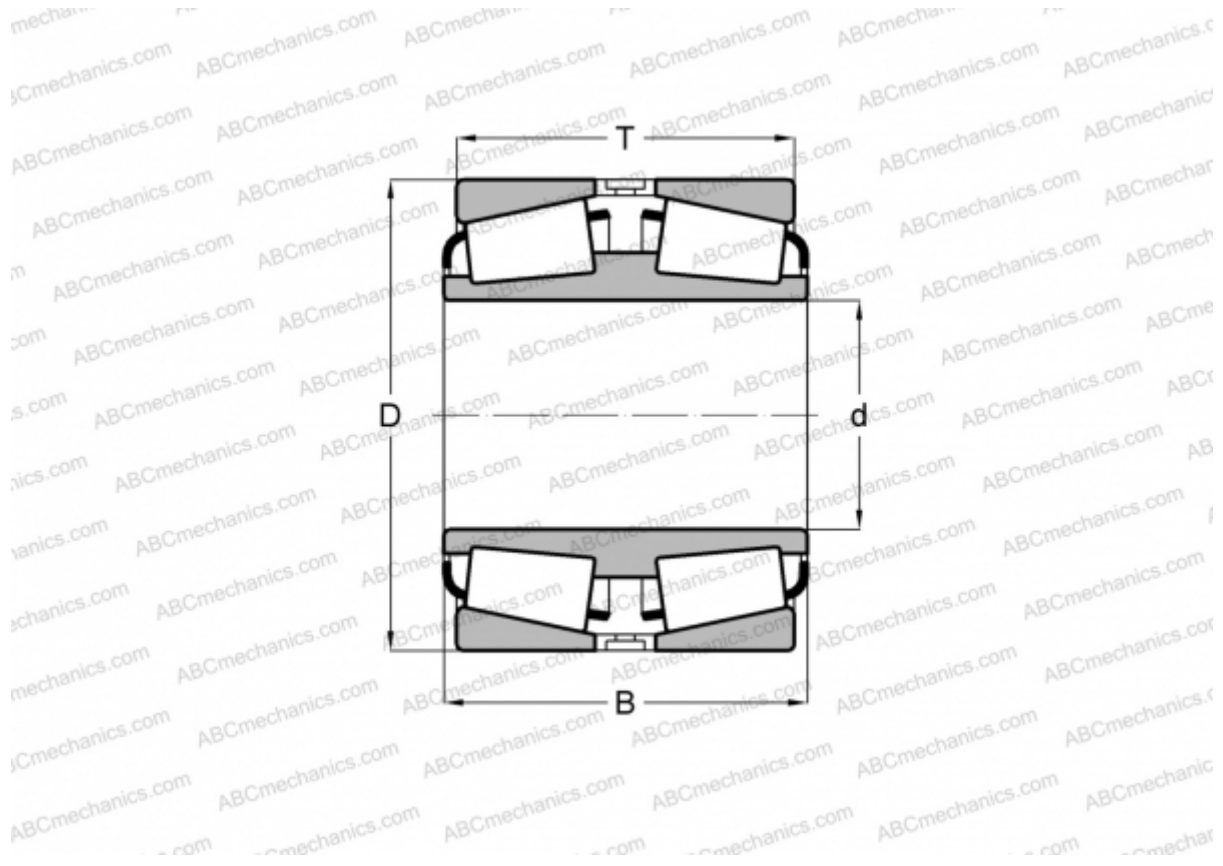


HM258949D/HM258910 TIMKEN

Tapered roller bearings

TYPE: Roller bearings, Tapered, Double row, Type TDI, double inner ring



Technical specification

DIMENSIONS, MM

| | |
|---|---------|
| d | 304,800 |
| D | 501,650 |
| B | 161,925 |
| T | 161,925 |

WEIGHT, KG 130,560

MANUFACTURER [TIMKEN](#)