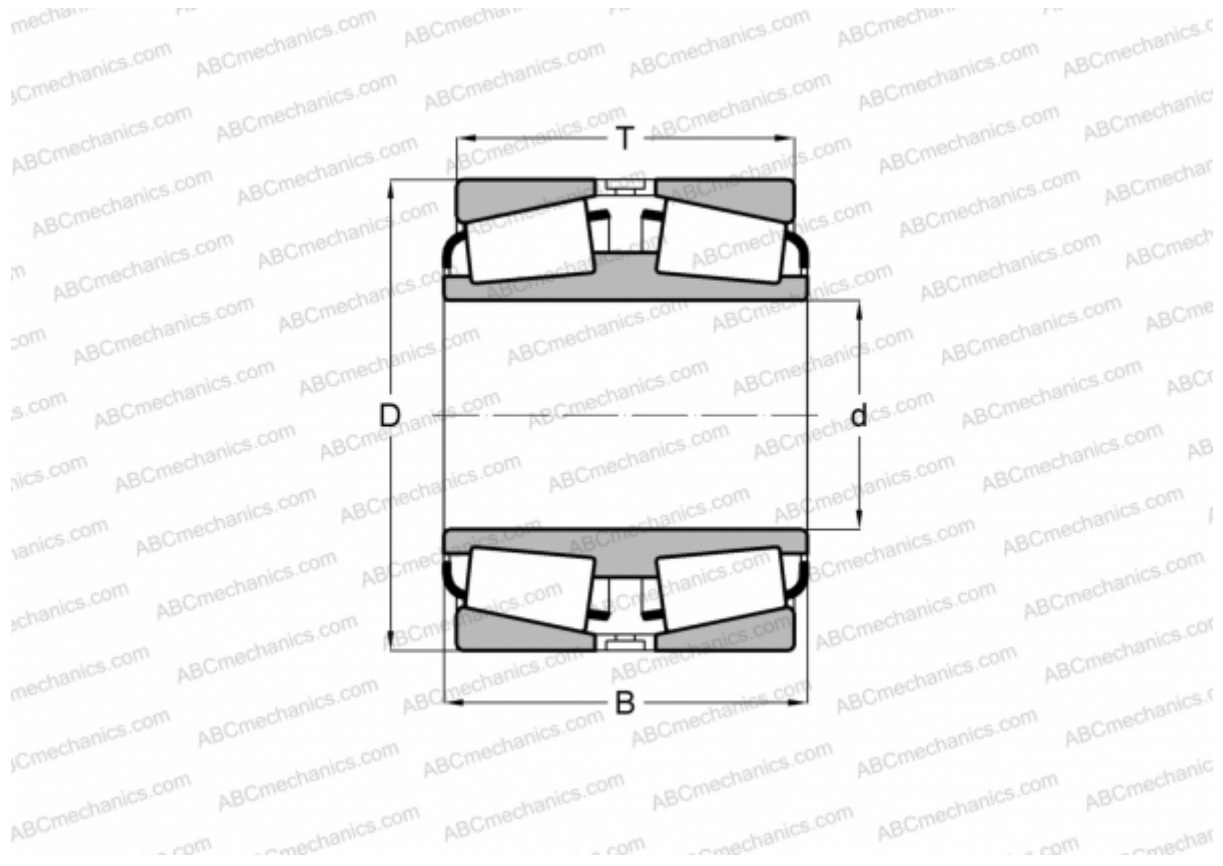


HM266445D/HM266410 TIMKEN

Tapered roller bearings

TYPE: Roller bearings, Tapered, Double row, Type TDI, double inner ring



Technical specification

DIMENSIONS, MM

d	374,574
D	546,100
B	193,675
T	193,675

WEIGHT, KG 159,350

MANUFACTURER [TIMKEN](#)