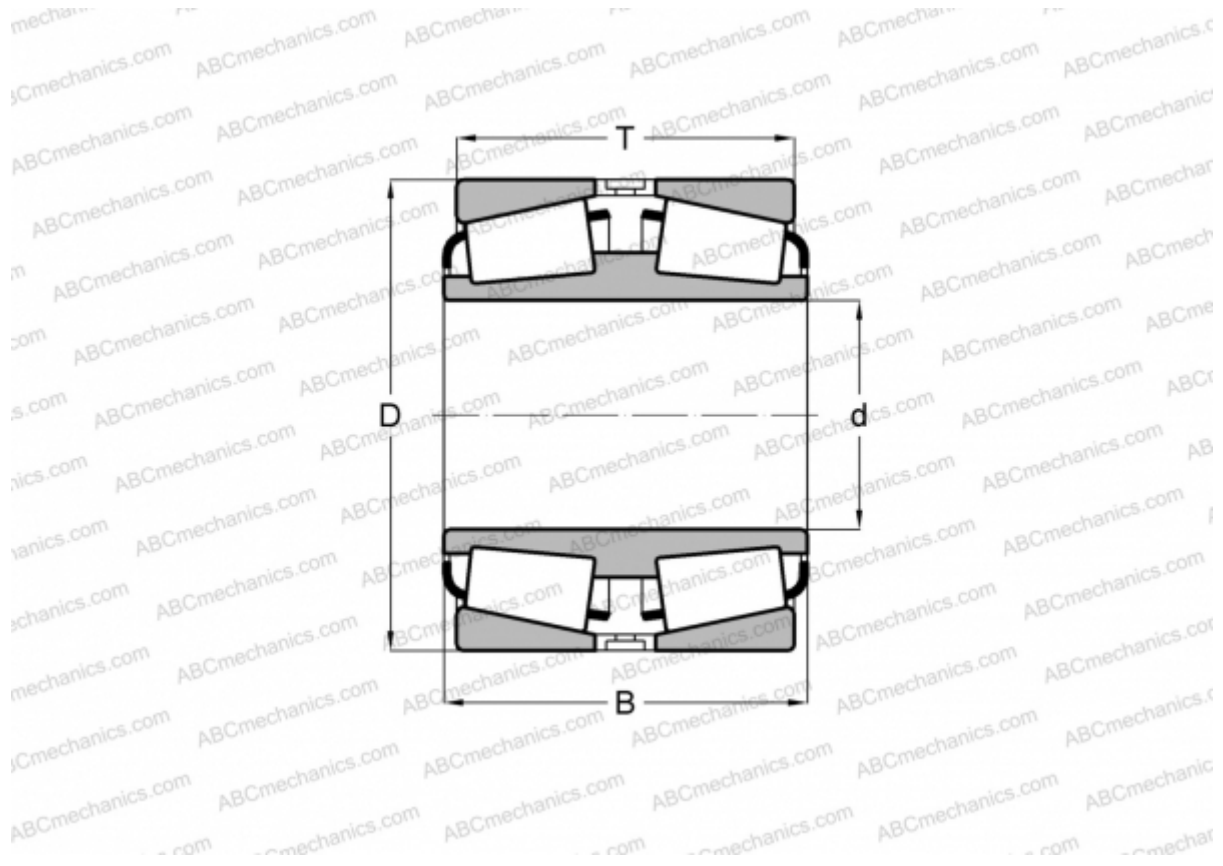


## HM266448D/HM266410 TIMKEN

Tapered roller bearings

TYPE: Roller bearings, Tapered, Double row, Type TDI, double inner ring



### Technical specification

#### DIMENSIONS, MM

d	384,175
D	546,100
B	193,675
T	193,675

**WEIGHT, KG** 147,140

**MANUFACTURER** [TIMKEN](#)