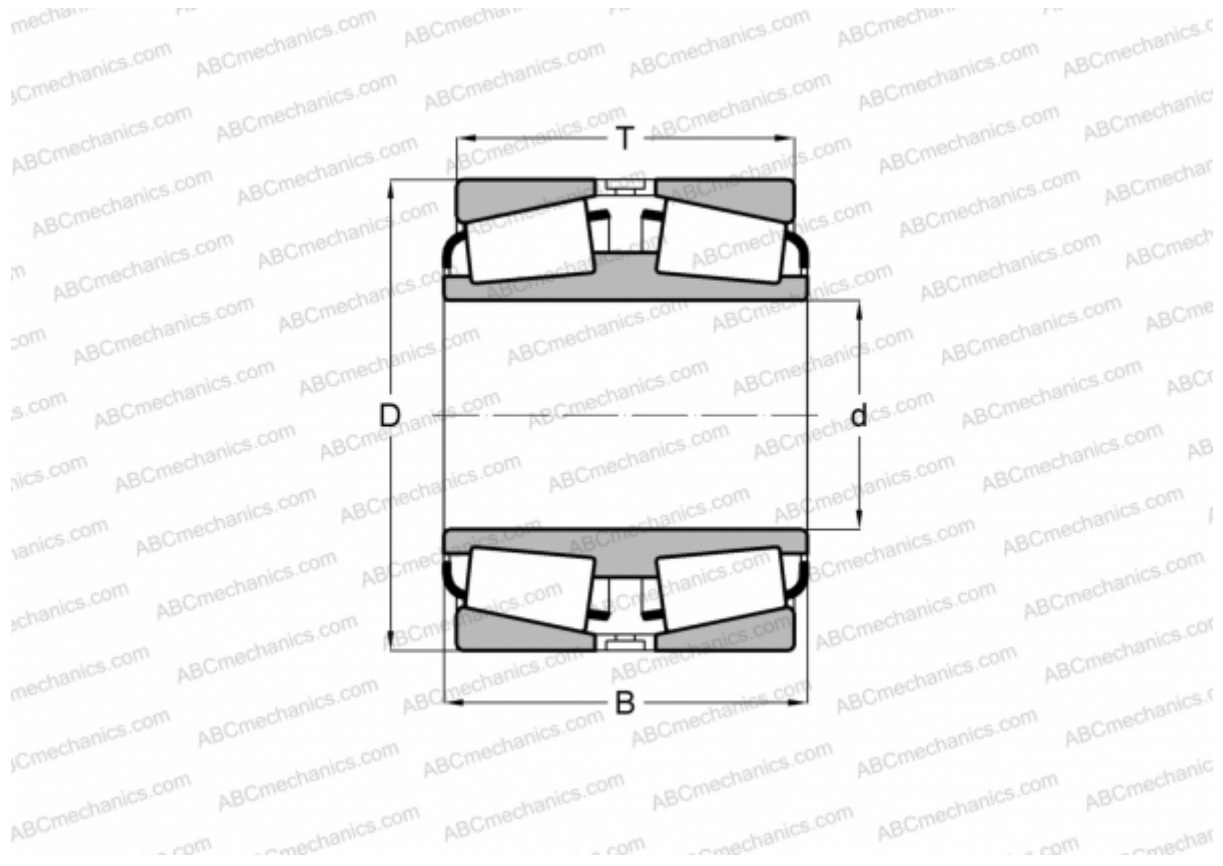


LL876449D/LL876410 TIMKEN

Tapered roller bearings

TYPE: Roller bearings, Tapered, Double row, Type TDI, double inner ring



Technical specification

DIMENSIONS, MM

d	558,800
D	660,400
B	92,075
T	95,250

WEIGHT, KG 54,750

MANUFACTURER [TIMKEN](#)