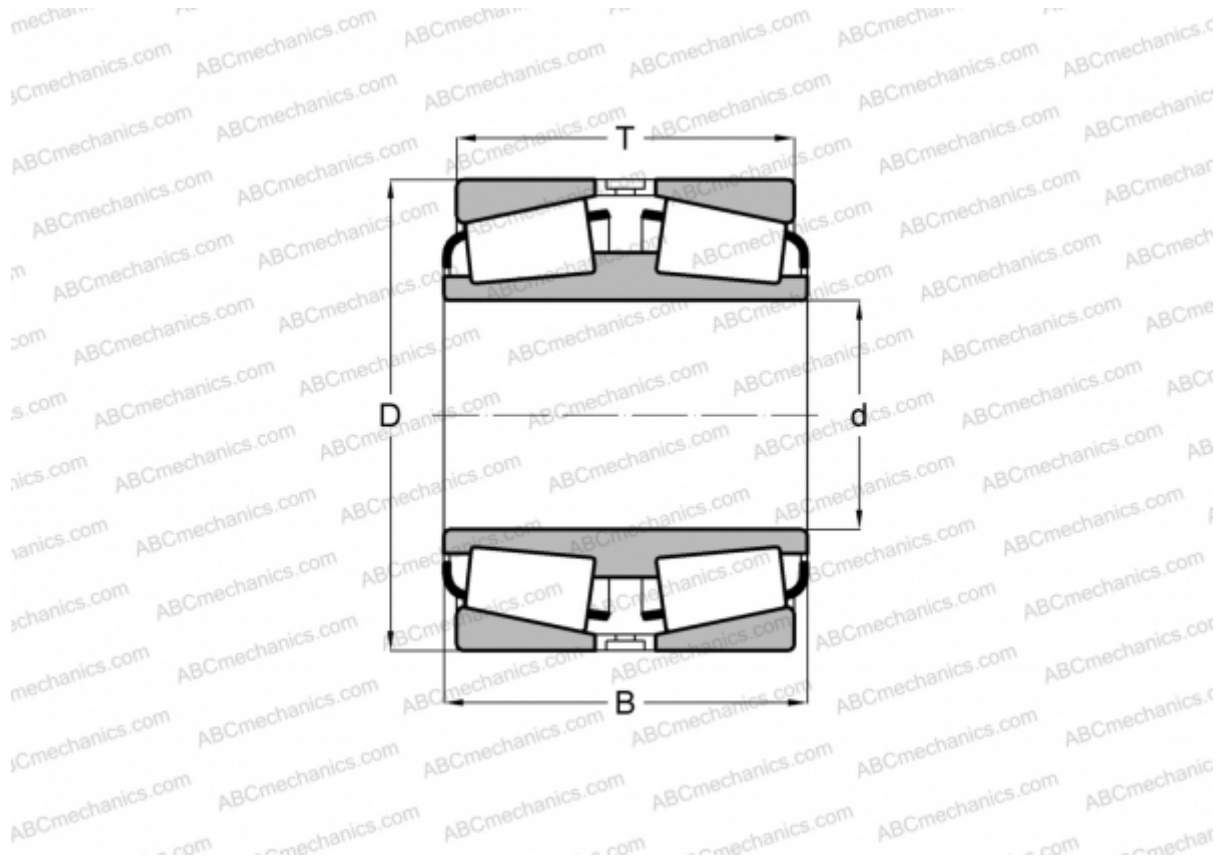


NP689200/NP360973 TIMKEN

Tapered roller bearings

TYPE: Roller bearings, Tapered, Double row, Type TDI, double inner ring



Technical specification

DIMENSIONS, MM

d	630,000
D	1030,000
B	315,000
T	315,000

WEIGHT, KG 1060,790

MANUFACTURER [TIMKEN](#)