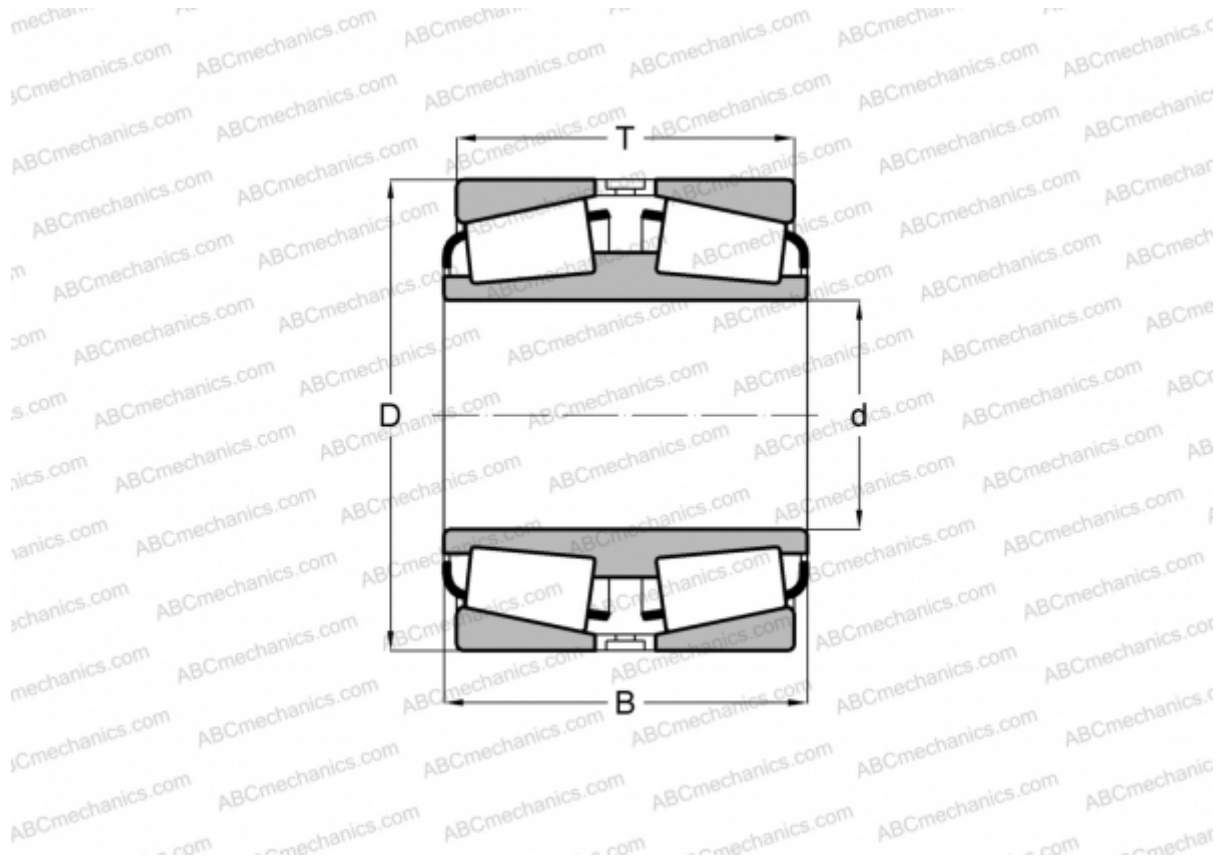


LM287849AD/LM287810 TIMKEN

Tapered roller bearings

TYPE: Roller bearings, Tapered, Double row, Type TDI, double inner ring



Technical specification

DIMENSIONS, MM

d	939,800
D	1333,500
B	463,550
T	463,550

WEIGHT, KG 2183,290

MANUFACTURER [TIMKEN](#)