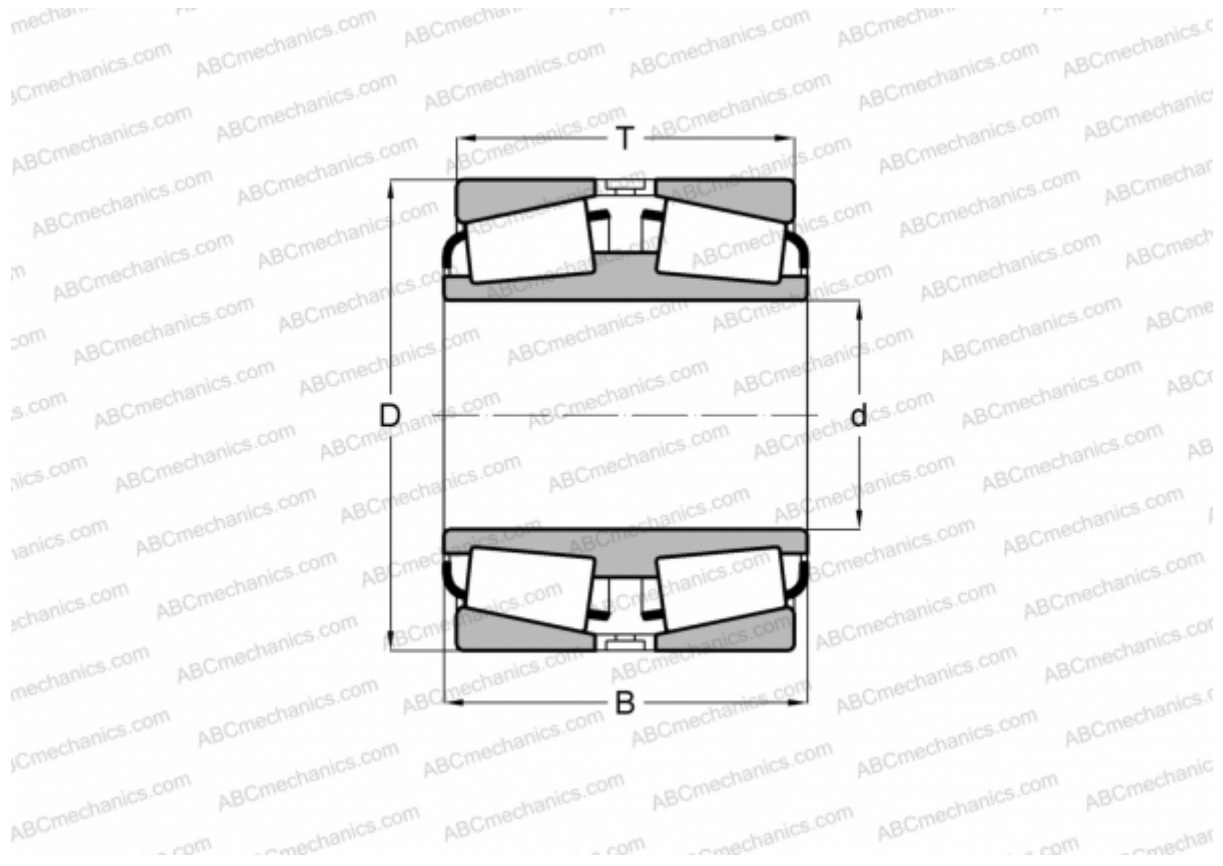


LM288949D/LM288910 TIMKEN

Tapered roller bearings

TYPE: Roller bearings, Tapered, Double row, Type TDI, double inner ring



Technical specification

DIMENSIONS, MM

d	1200,150
D	1593,850
B	482,600
T	482,600

WEIGHT, KG 2744,570

MANUFACTURER [TIMKEN](#)