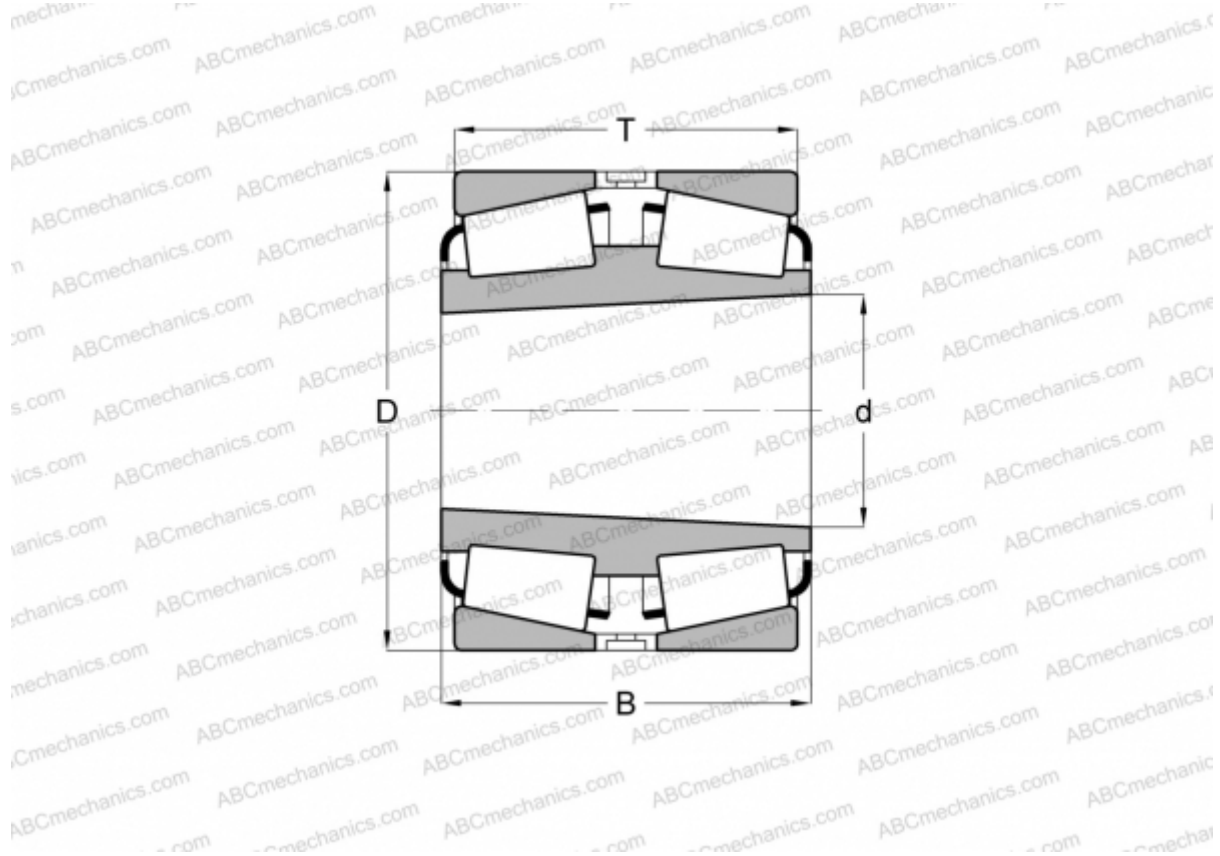


93826TD/93125 TIMKEN

Tapered roller bearings

TYPE: Roller bearings, Tapered, Double row, Type TDIIIT, double inner ring, tapered inner bore



Technical specification

DIMENSIONS, MM

d	209,550
D	317,500
B	184,150
T	184,150

WEIGHT, KG 45,370

MANUFACTURER [TIMKEN](#)