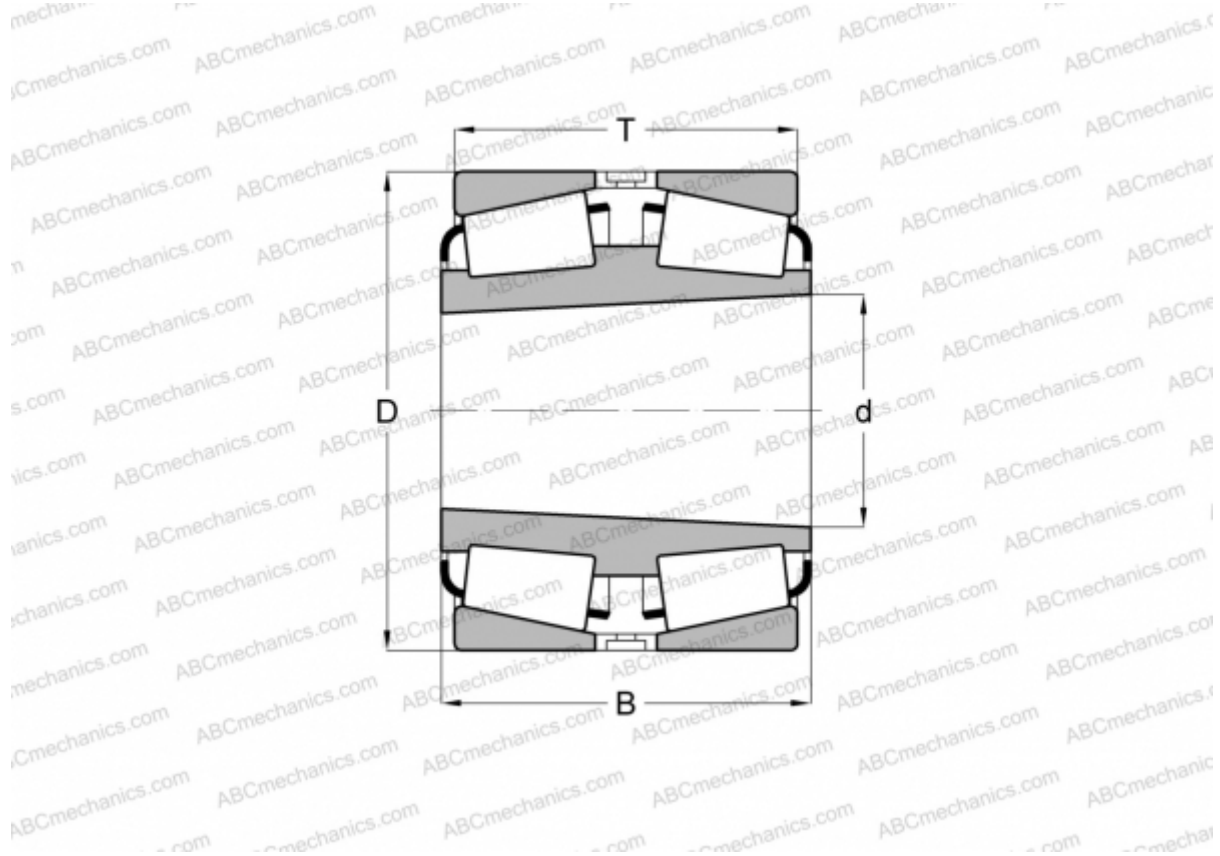


## LM247747TD/LM247710 TIMKEN

Tapered roller bearings

TYPE: Roller bearings, Tapered, Double row, Type TDIIIT, double inner ring, tapered inner bore



### Technical specification

#### DIMENSIONS, MM

d	243,152
D	327,025
B	101,600
T	92,075

**WEIGHT, KG** 23,700

**MANUFACTURER** [TIMKEN](#)