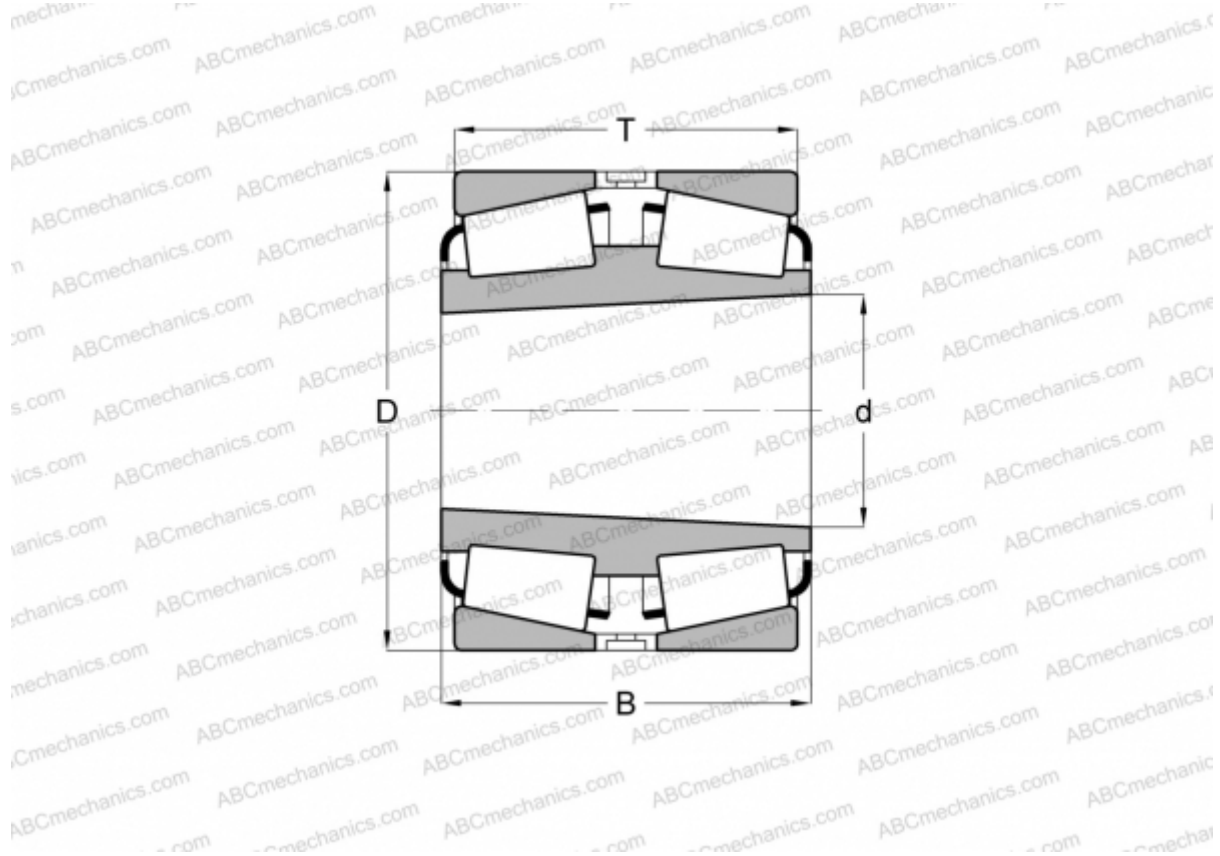


LM451349TD/LM451310 TIMKEN

Tapered roller bearings

TYPE: Roller bearings, Tapered, Double row, Type TDIIIT, double inner ring, tapered inner bore



Technical specification

DIMENSIONS, MM

d	266,700
D	355,600
B	109,538
T	107,950

WEIGHT, KG 30,990

MANUFACTURER [TIMKEN](#)