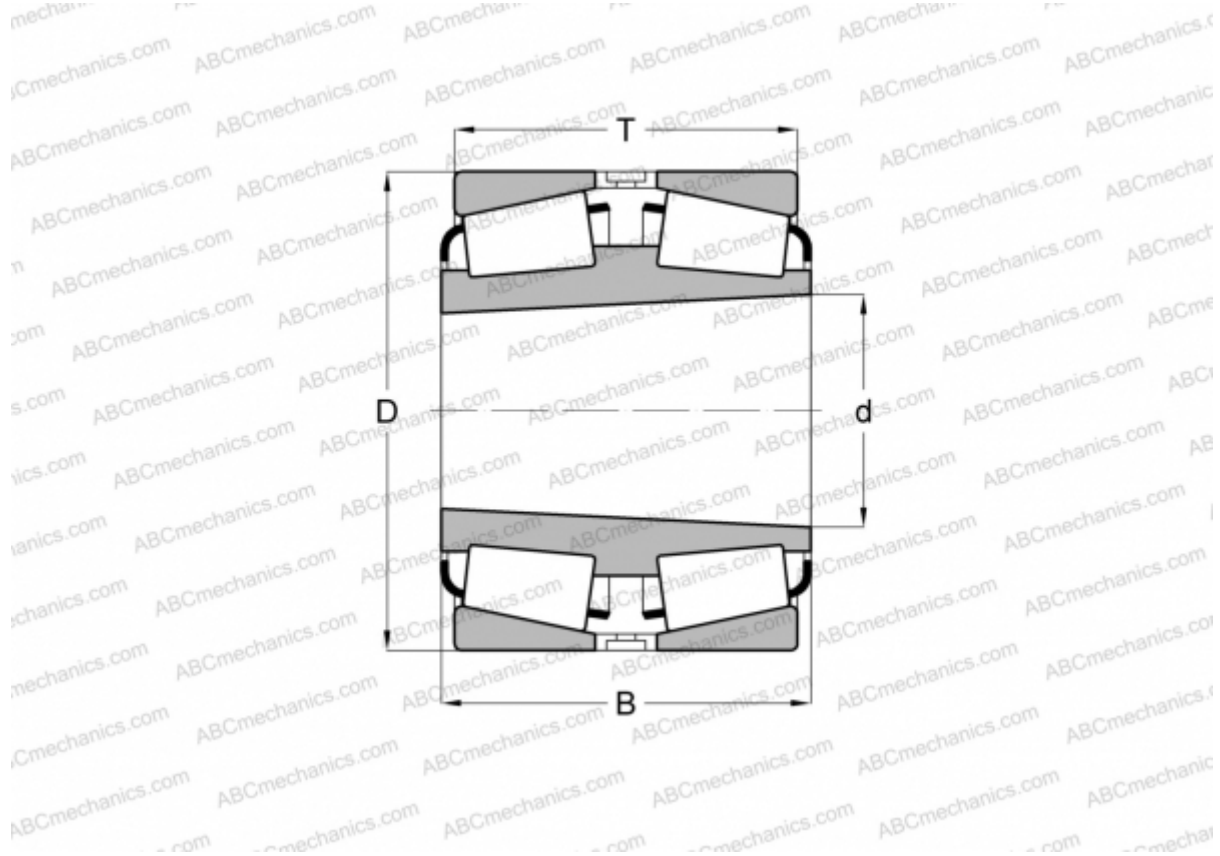


M262448TD/M262410 TIMKEN

Tapered roller bearings

TYPE: Roller bearings, Tapered, Double row, Type TDIIIT, double inner ring, tapered inner bore



Technical specification

DIMENSIONS, MM

d	347,662
D	469,900
B	228,600
T	228,600

WEIGHT, KG 100,230

MANUFACTURER [TIMKEN](#)