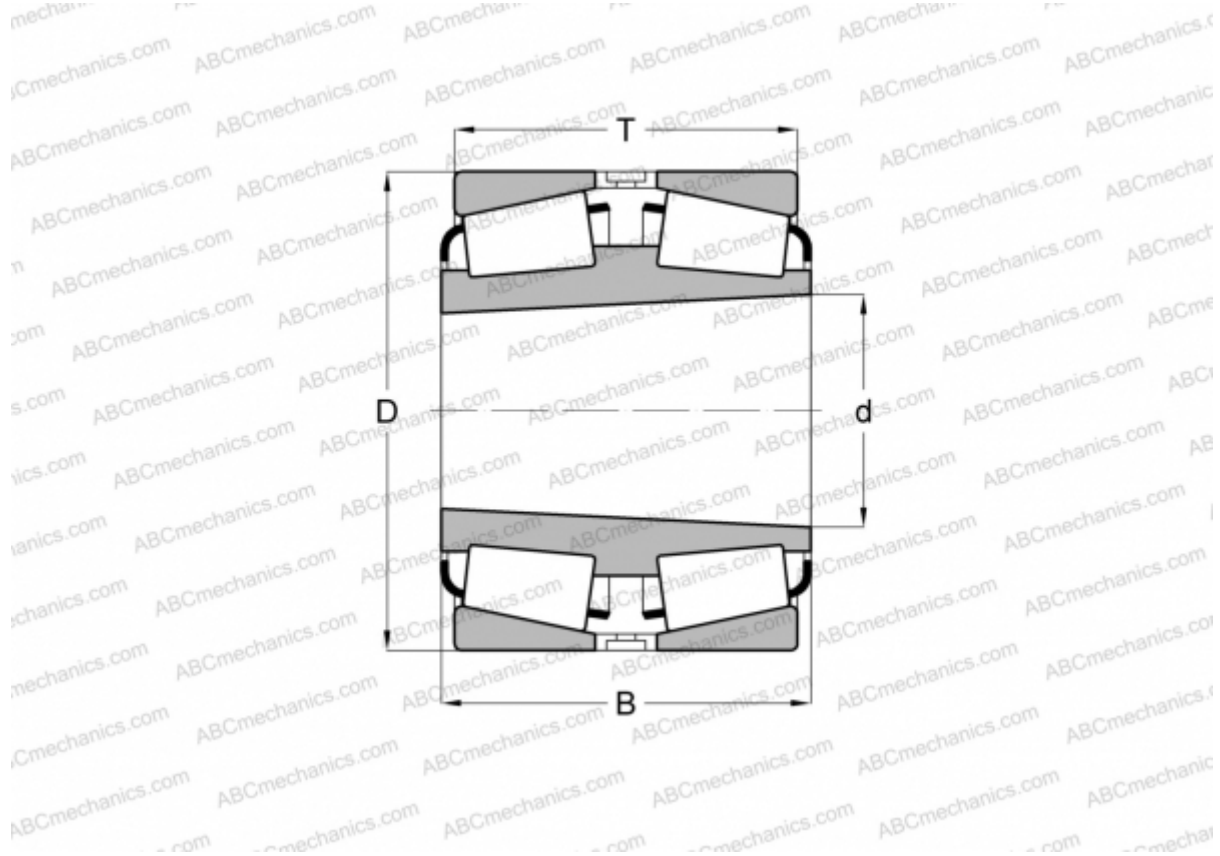


LM769349TD/LM769310 TIMKEN

Tapered roller bearings

TYPE: Roller bearings, Tapered, Double row, Type TDIIIT, double inner ring, tapered inner bore



Technical specification

DIMENSIONS, MM

| | |
|---|---------|
| d | 431,800 |
| D | 571,500 |
| B | 161,925 |
| T | 161,925 |

WEIGHT, KG 119,480

MANUFACTURER [TIMKEN](#)