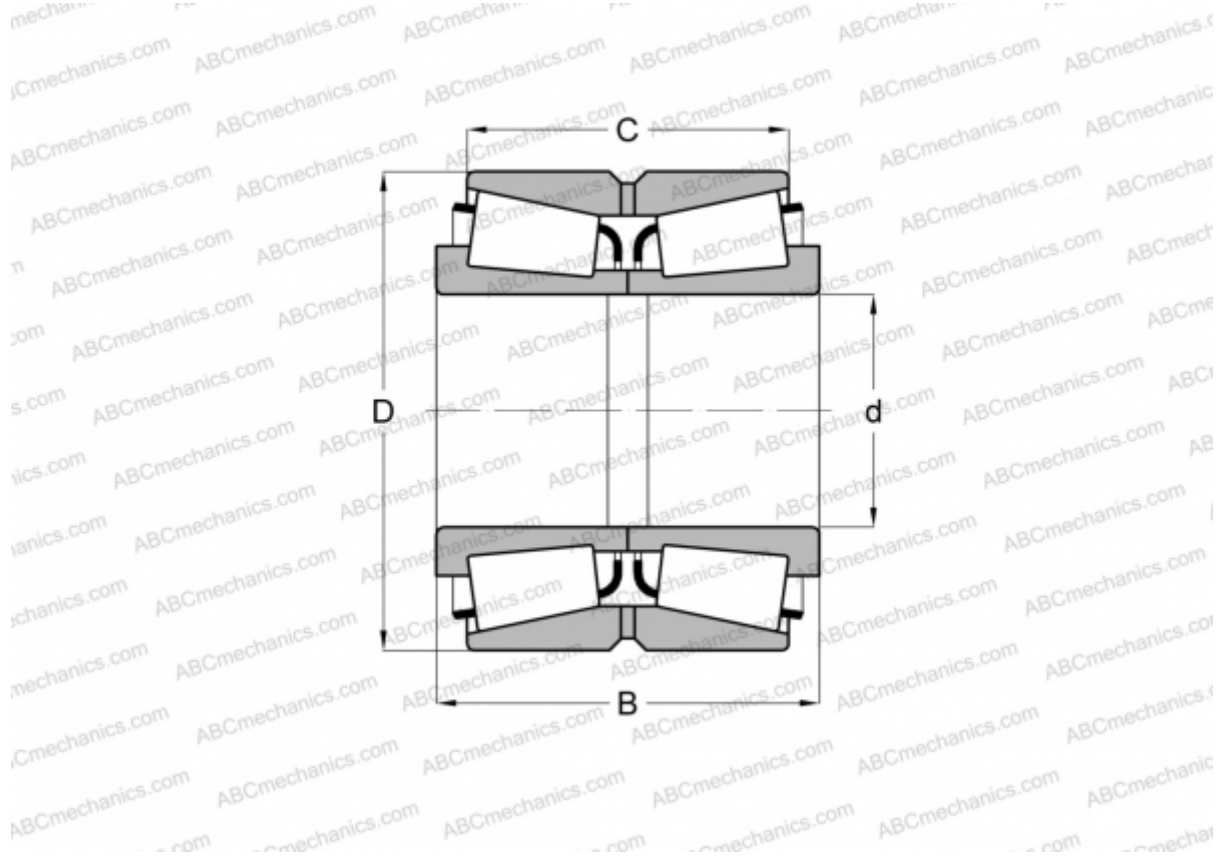


NA495A/493D TIMKEN

Tapered roller bearings

TYPE: Roller bearings, Tapered, Double row, Type TNA, non-adjustable double-row bearing



Technical specification

DIMENSIONS, MM

d	76,200
D	136,525
B	69,850
C	53,975

WEIGHT, KG 4,140

MANUFACTURER [TIMKEN](#)