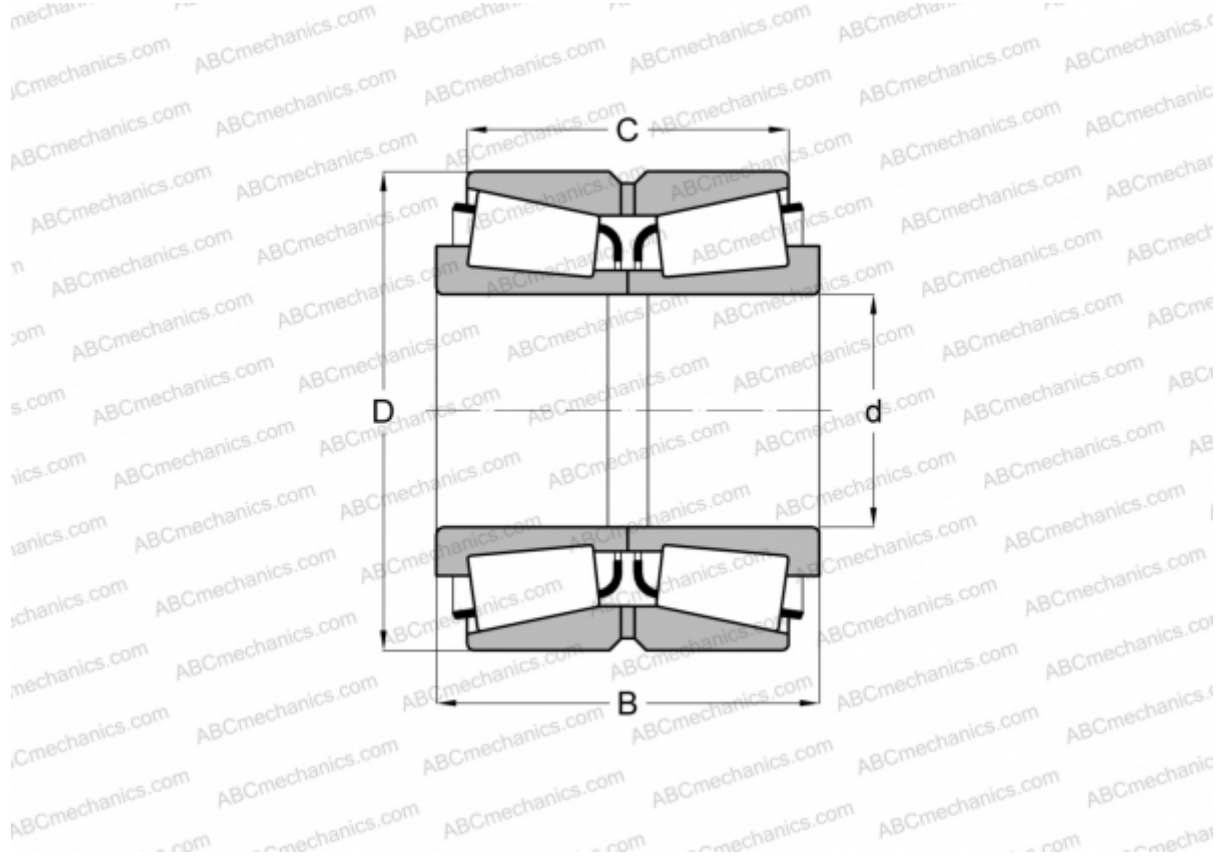


## NA749/742D TIMKEN

Tapered roller bearings

TYPE: Roller bearings, Tapered, Double row, Type TNA, non-adjustable double-row bearing



### Technical specification

#### DIMENSIONS, MM

d	82,550
D	155,575
B	101,600
C	85,725

**WEIGHT, KG** 8,170

**MANUFACTURER** [TIMKEN](#)