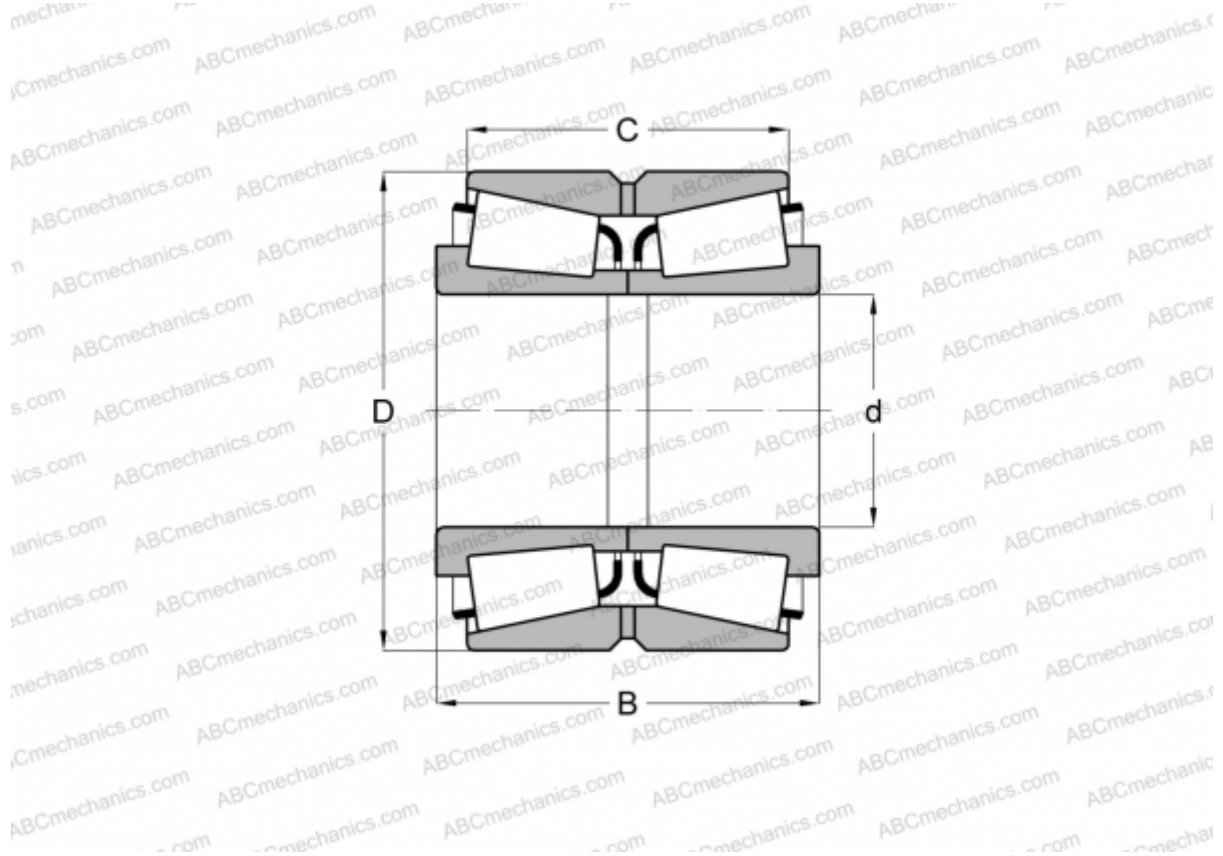


NA48291/48220D TIMKEN

Tapered roller bearings

TYPE: Roller bearings, Tapered, Double row, Type TNA, non-adjustable double-row bearing



Technical specification

DIMENSIONS, MM

d	127,000
D	182,562
B	85,725
C	73,025

WEIGHT, KG 7,130

MANUFACTURER [TIMKEN](#)