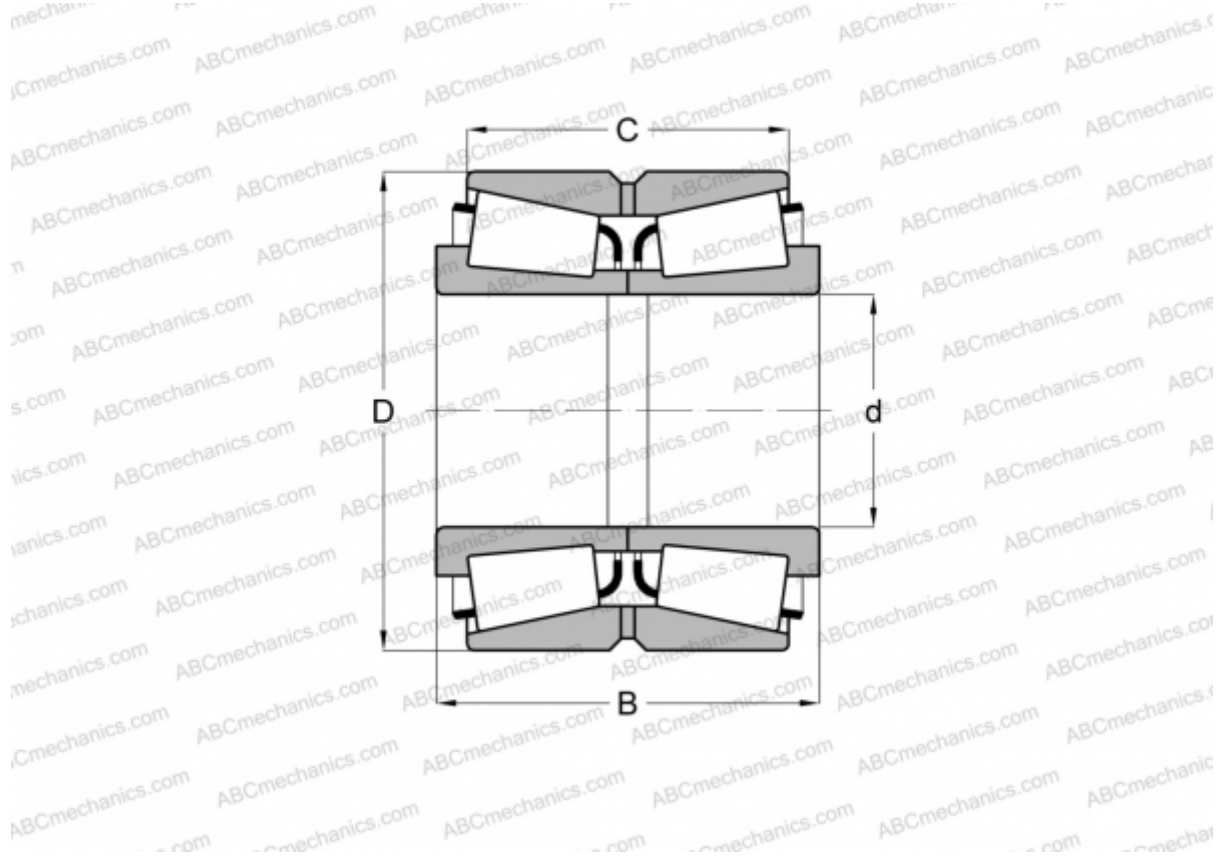


HM231149NA/HM231116D TIMKEN

Tapered roller bearings

TYPE: Roller bearings, Tapered, Double row, Type TNA, non-adjustable double-row bearing



Technical specification

DIMENSIONS, MM

d	149,225
D	241,300
B	131,762
C	106,362

WEIGHT, KG 21,240

MANUFACTURER [TIMKEN](#)