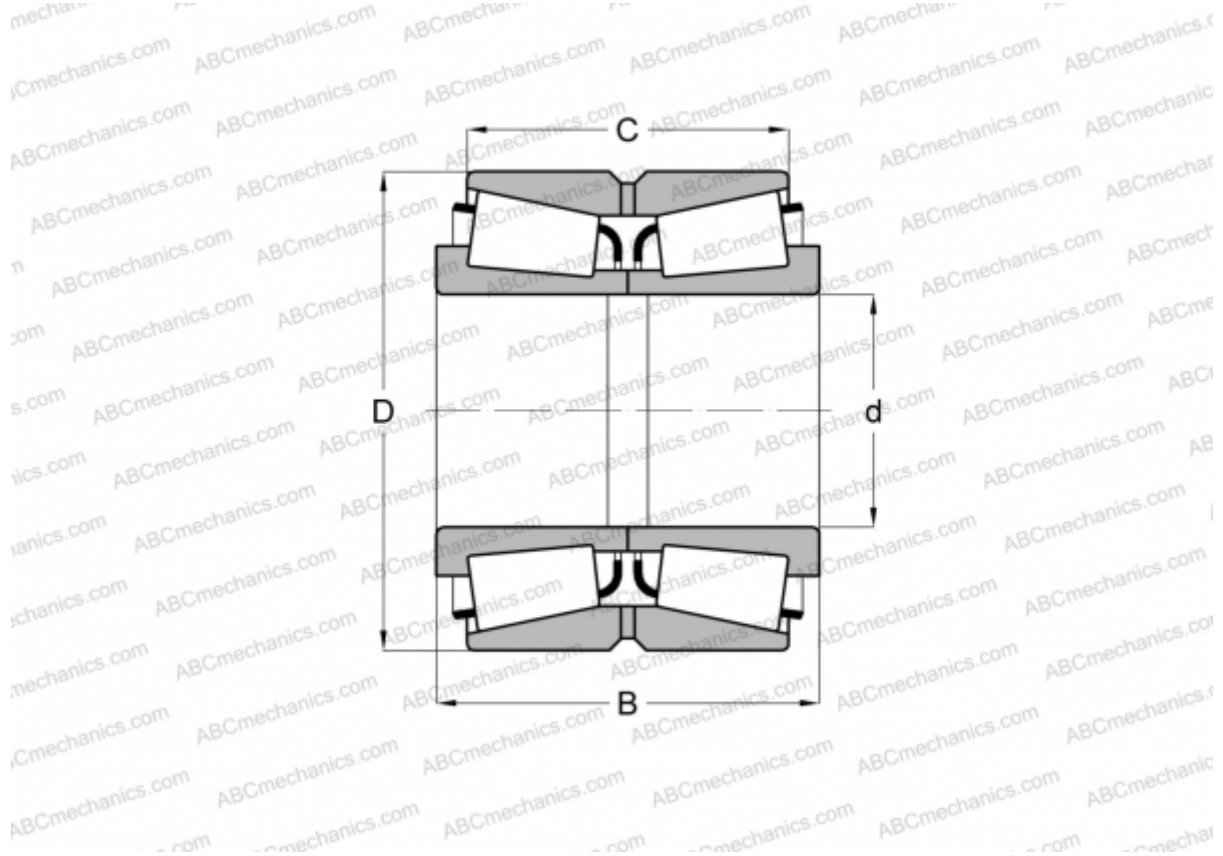


HM252349NA/HM252315CD TIMKEN

Tapered roller bearings

TYPE: Roller bearings, Tapered, Double row, Type TNA, non-adjustable double-row bearing



Technical specification

DIMENSIONS, MM

d	260,350
D	431,724
B	173,038
C	128,588

WEIGHT, KG 92,940

MANUFACTURER [TIMKEN](#)