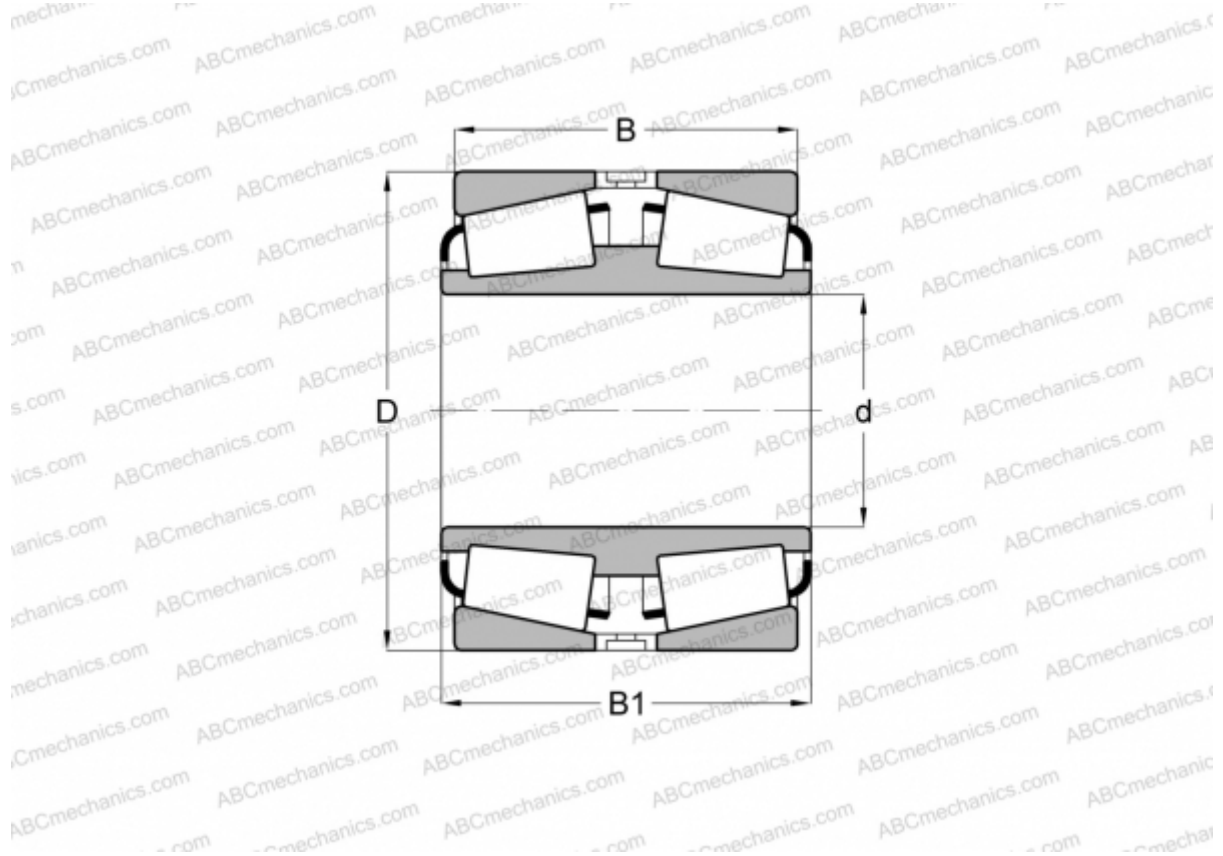


512127 FAG

Tapered roller bearings

TYPE: Roller bearings, Tapered, Double row, For loose fit on the roll neck, design 1 (FAG)



Technical specification

DIMENSIONS, MM

d	136,525
D	225,425
B	120,650
B1	120,650

WEIGHT, KG 19,300

MANUFACTURER [FAG](#)

INTERCHANGE

TIMKEN [H228649DW.610](#)