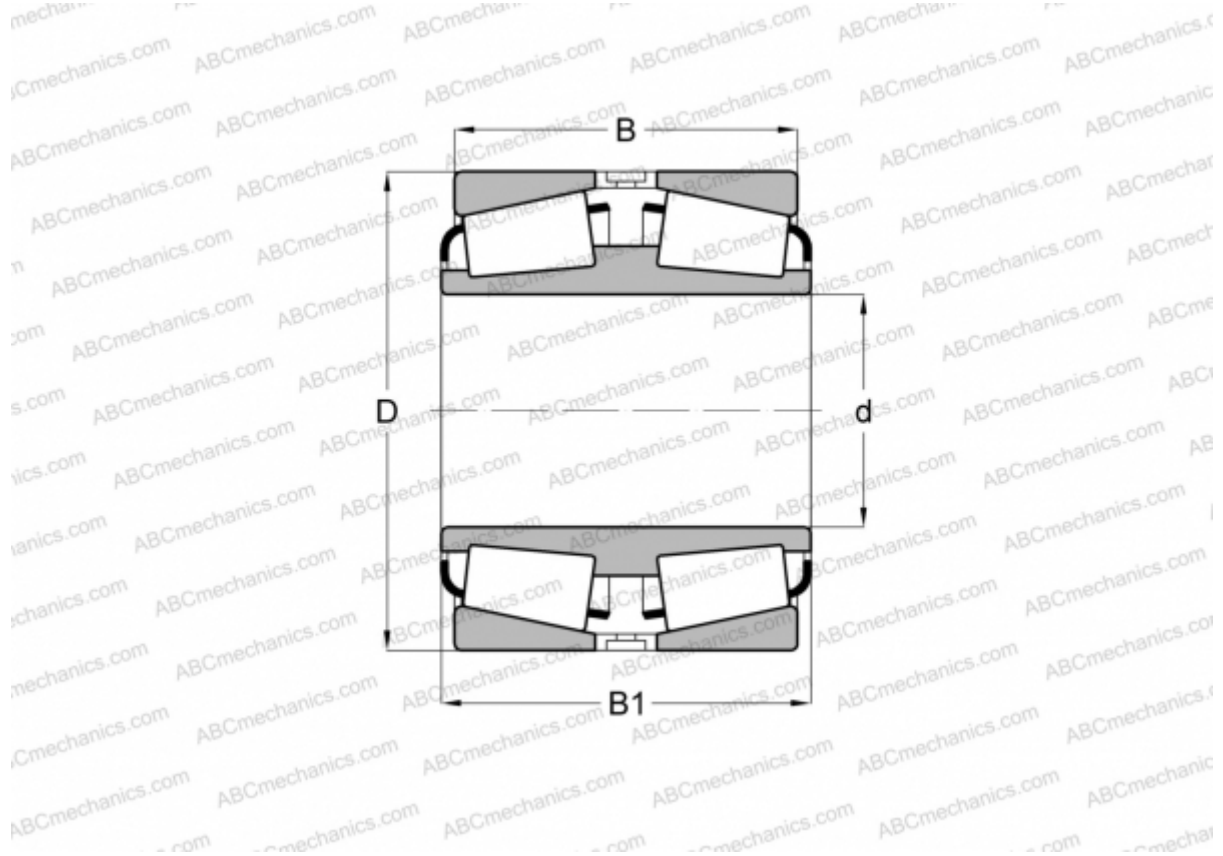


HM237546DW.510 TIMKEN

Tapered roller bearings

TYPE: Roller bearings, Tapered, Double row, For loose fit on the roll neck, design 1 (FAG)



Technical specification

DIMENSIONS, MM

d	177,800
D	288,925
B	123,825
B1	123,825

WEIGHT, KG 31,700

MANUFACTURER [TIMKEN](#)

INTERCHANGE

FAG [541398](#)