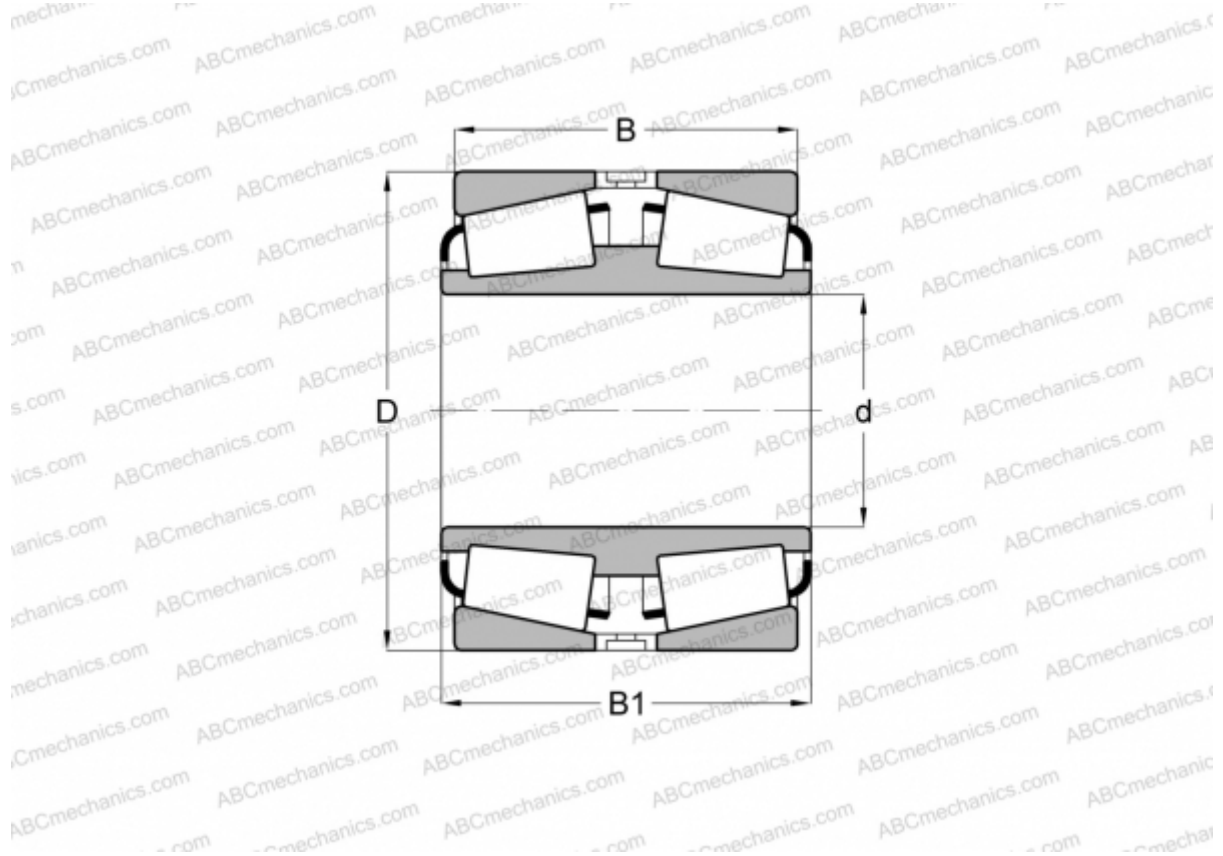


93800D.125 TIMKEN

Tapered roller bearings

TYPE: Roller bearings, Tapered, Double row, For loose fit on the roll neck, design 1 (FAG)



Technical specification

DIMENSIONS, MM

d	203,200
D	317,500
B	123,825
B1	123,825

WEIGHT, KG 37,400

MANUFACTURER [TIMKEN](#)

INTERCHANGE

FAG [530979](#)