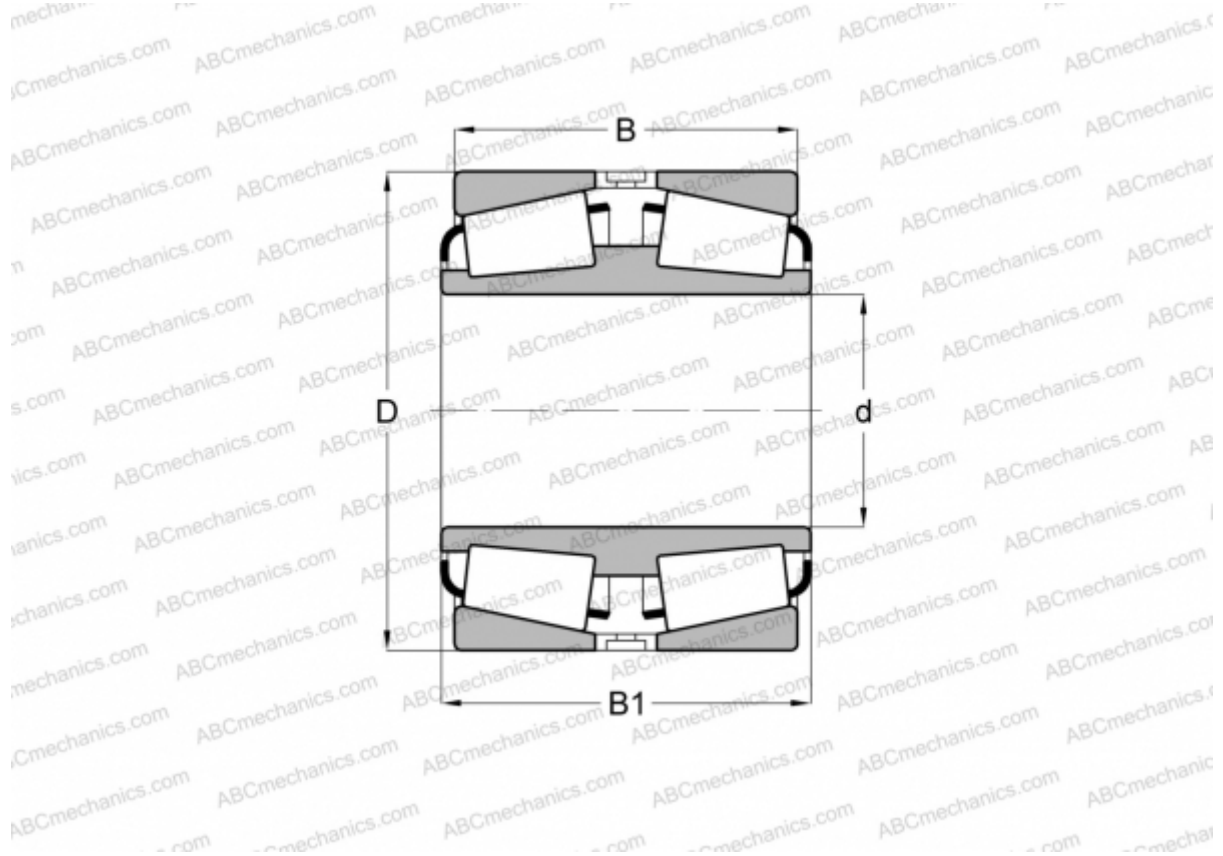


93801DW.125 TIMKEN

Tapered roller bearings

TYPE: Roller bearings, Tapered, Double row, For loose fit on the roll neck, design 1 (FAG)



Technical specification

DIMENSIONS, MM

d	203,200
D	317,500
B	133,350
B1	133,350

WEIGHT, KG 41,000

MANUFACTURER [TIMKEN](#)

INTERCHANGE

FAG	521522
-----	------------------------