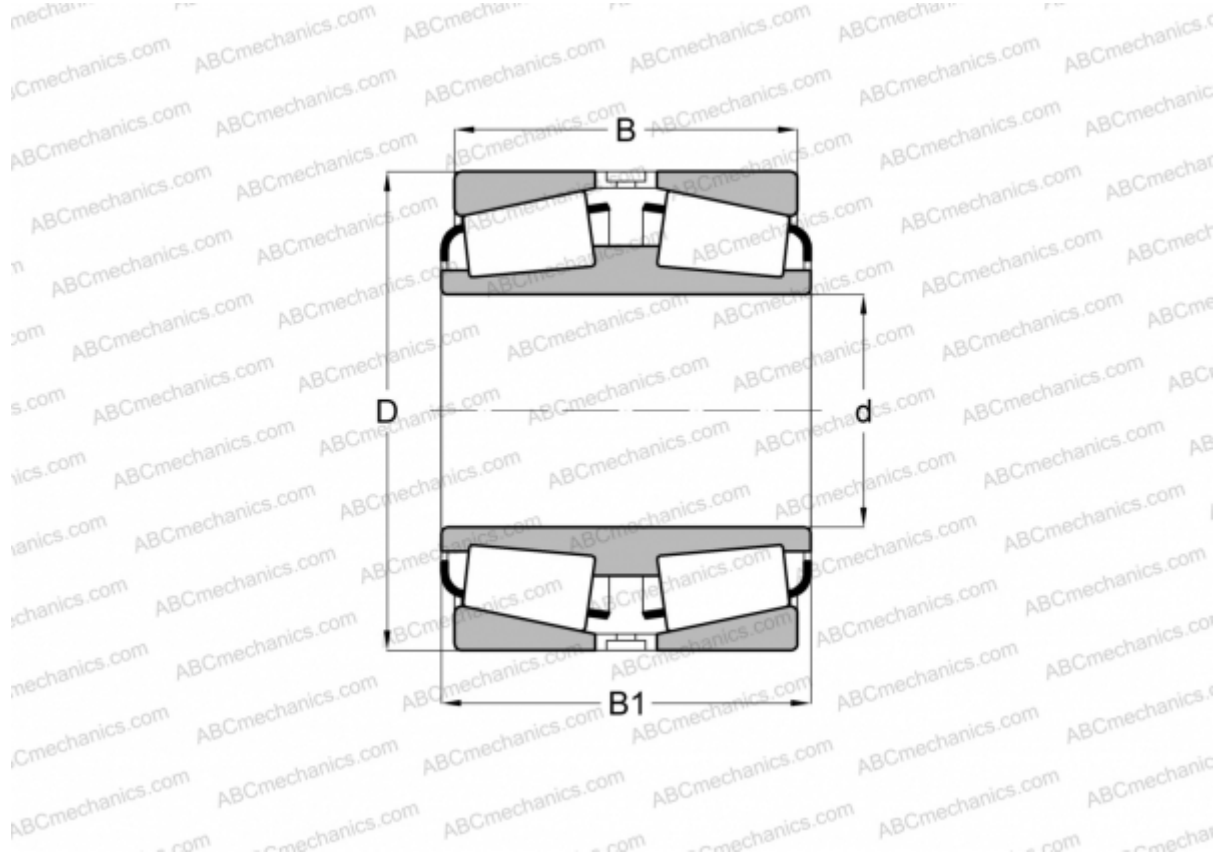


EE420800DW.450 TIMKEN

Tapered roller bearings

TYPE: Roller bearings, Tapered, Double row, For loose fit on the roll neck, design 1 (FAG)



Technical specification

DIMENSIONS, MM

d	203,200
D	368,300
B	158,750
B1	152,400

WEIGHT, KG 77,100

MANUFACTURER [TIMKEN](#)

INTERCHANGE

FAG	541397
-----	------------------------