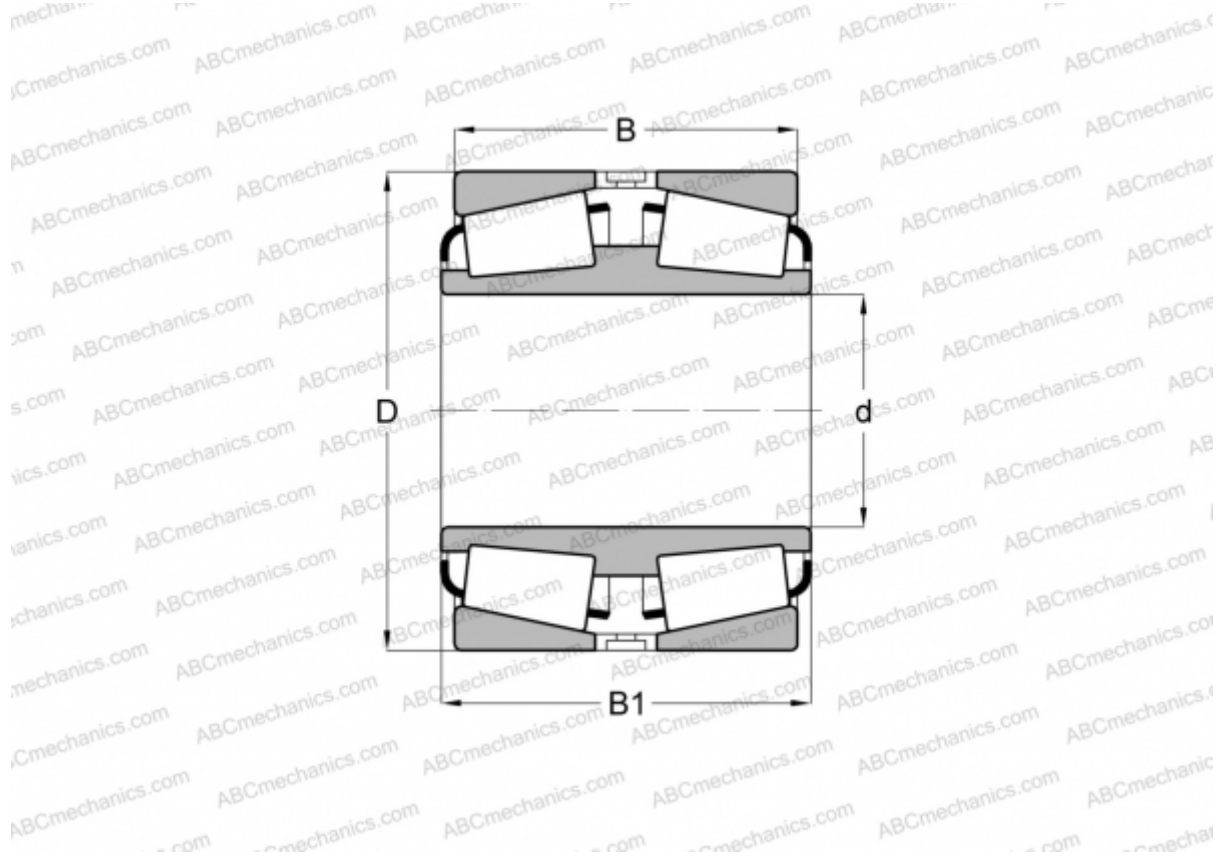


8576DW.8520 TIMKEN

Tapered roller bearings

TYPE: Roller bearings, Tapered, Double row, For loose fit on the roll neck, design 1 (FAG)



Technical specification

DIMENSIONS, MM

d	234,950
D	327,025
B	93,662
B1	93,662

WEIGHT, KG 24,700

MANUFACTURER [TIMKEN](#)

INTERCHANGE

FAG [800579](#)