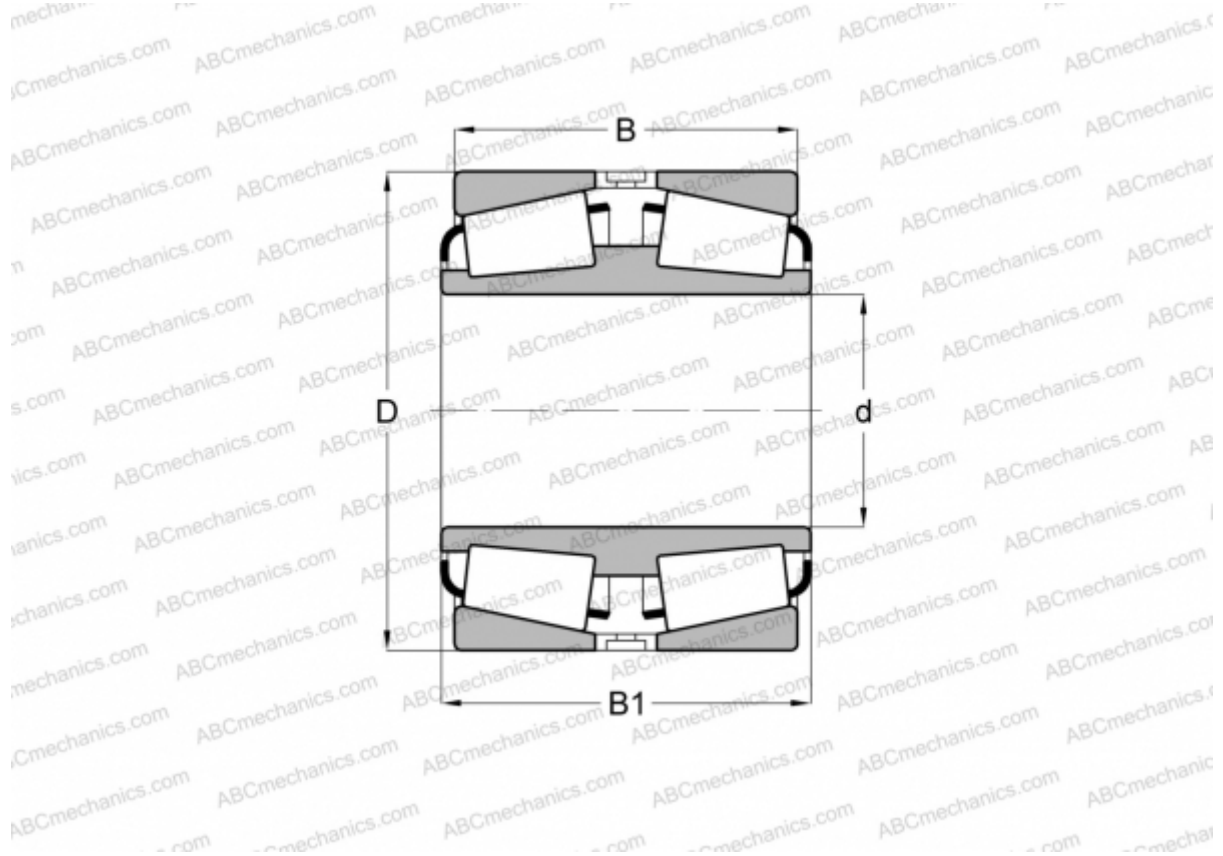


547757 FAG

Tapered roller bearings

TYPE: Roller bearings, Tapered, Double row, For loose fit on the roll neck, design 1 (FAG)



Technical specification

DIMENSIONS, MM

d	254,000
D	438,150
B	165,100
B1	165,100

WEIGHT, KG 104,000

MANUFACTURER [FAG](#)

INTERCHANGE

TIMKEN [EE738101DW.712](#)