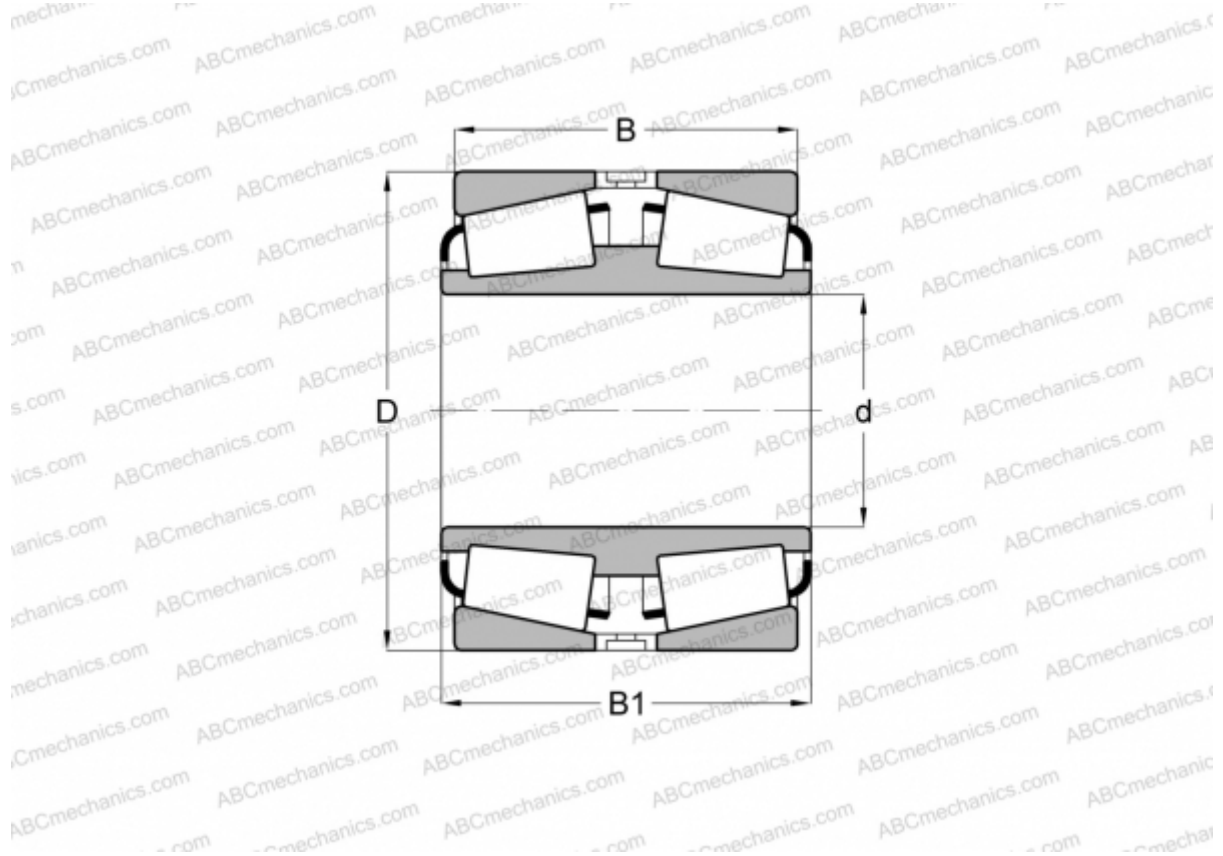


M252349DW.310 TIMKEN

Tapered roller bearings

TYPE: Roller bearings, Tapered, Double row, For loose fit on the roll neck, design 1 (FAG)



Technical specification

DIMENSIONS, MM

d	269,875
D	381,000
B	136,525
B1	136,525

WEIGHT, KG 50,200

MANUFACTURER [TIMKEN](#)

INTERCHANGE

FAG [517563A](#)