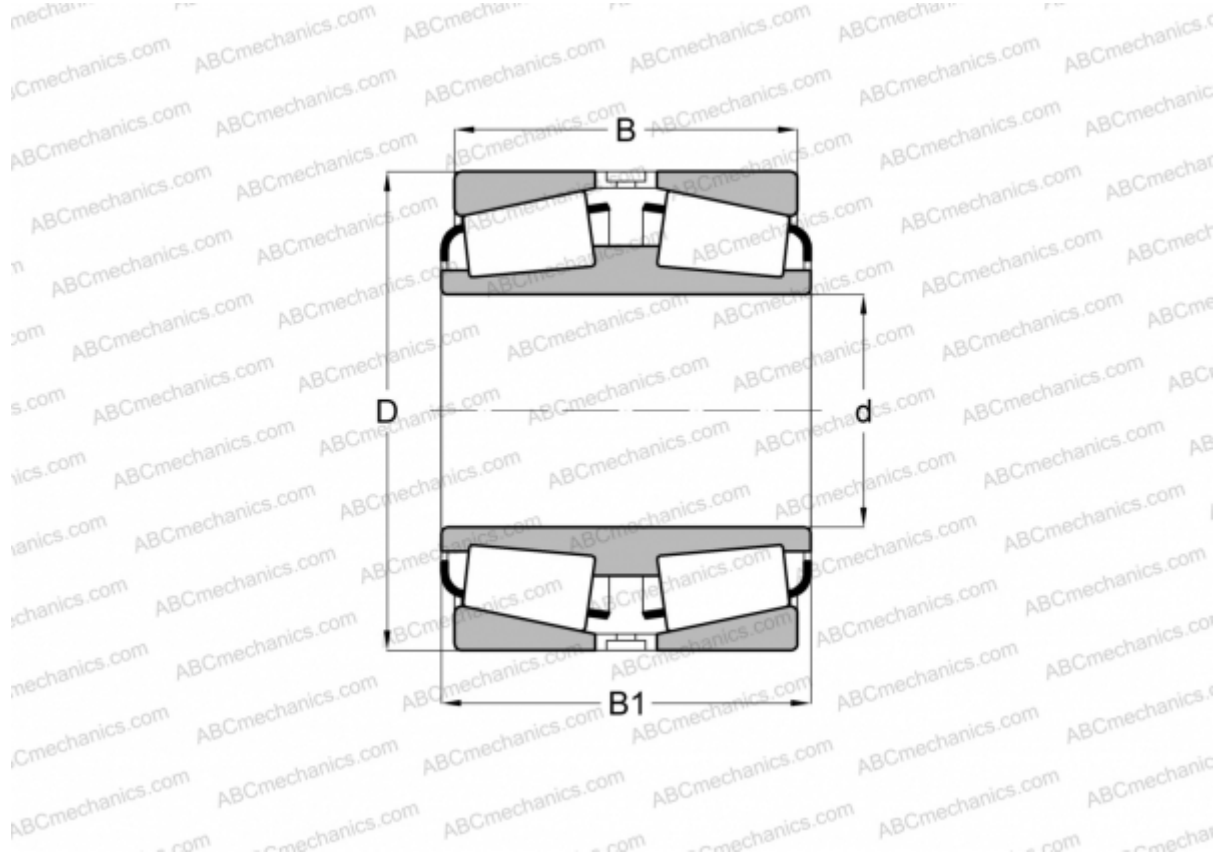


564144 FAG

Tapered roller bearings

TYPE: Roller bearings, Tapered, Double row, For loose fit on the roll neck, design 1 (FAG)



Technical specification

DIMENSIONS, MM

| | |
|----|---------|
| d | 279,400 |
| D | 469,900 |
| B | 169,863 |
| B1 | 166,688 |

WEIGHT, KG 129,000

MANUFACTURER [FAG](#)

INTERCHANGE

TIMKEN [EE722111DW.185](#)