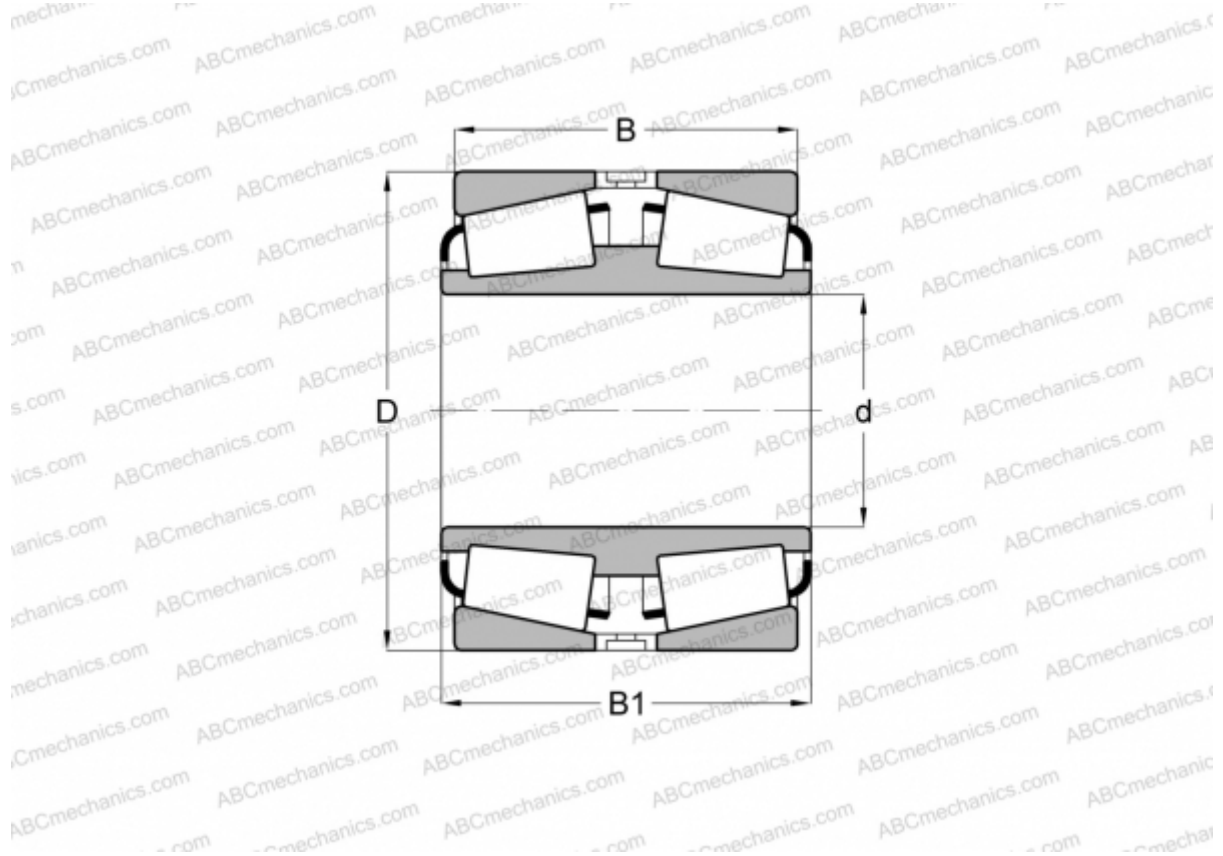


EE722111DW.185 TIMKEN

Tapered roller bearings

TYPE: Roller bearings, Tapered, Double row, For loose fit on the roll neck, design 1 (FAG)



Technical specification

DIMENSIONS, MM

d	279,400
D	469,900
B	169,863
B1	166,688

WEIGHT, KG 129,000

MANUFACTURER [TIMKEN](#)

INTERCHANGE

FAG [564144](#)