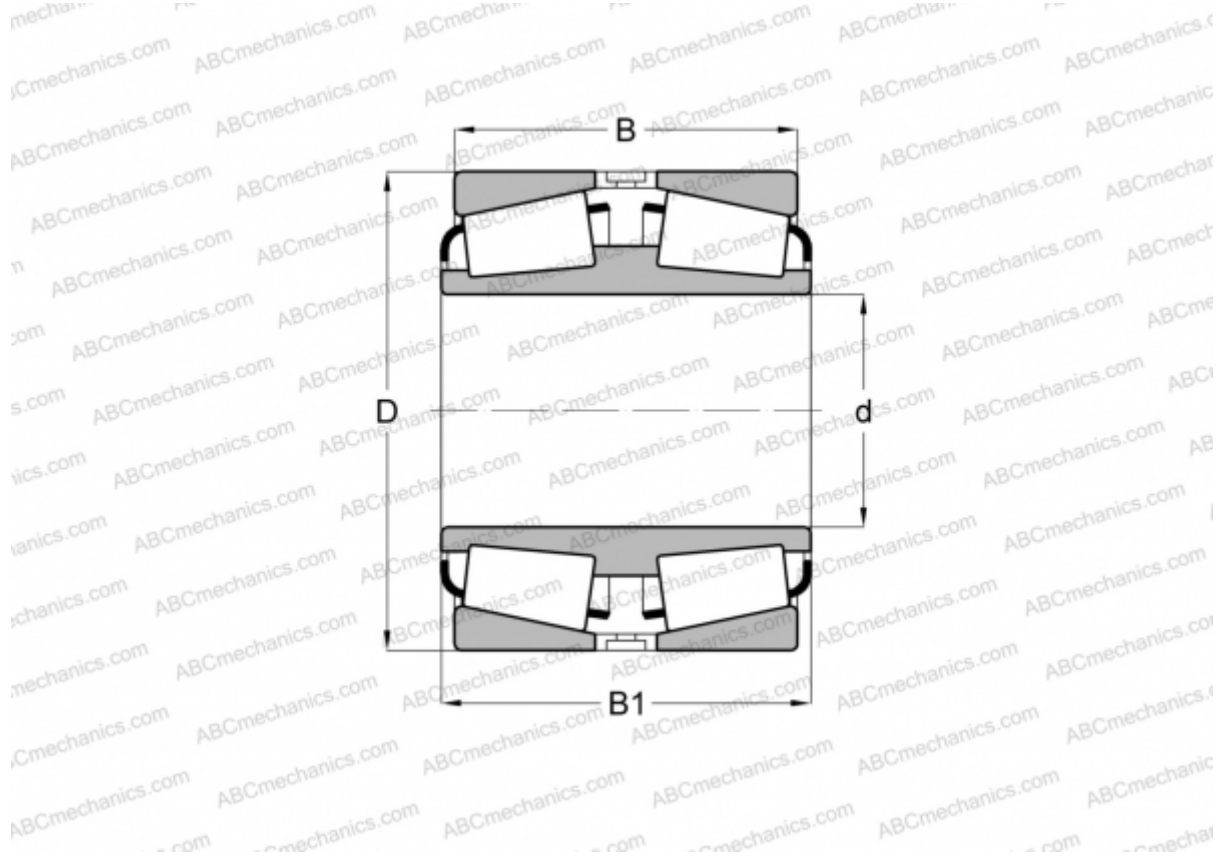


## M255449DW.410 TIMKEN

Tapered roller bearings

TYPE: Roller bearings, Tapered, Double row, For loose fit on the roll neck, design 1 (FAG)



### Technical specification

#### DIMENSIONS, MM

d	288,925
D	406,400
B	144,462
B1	144,462

**WEIGHT, KG** 59,500

**MANUFACTURER** [TIMKEN](#)

#### INTERCHANGE

FAG [546348](#)