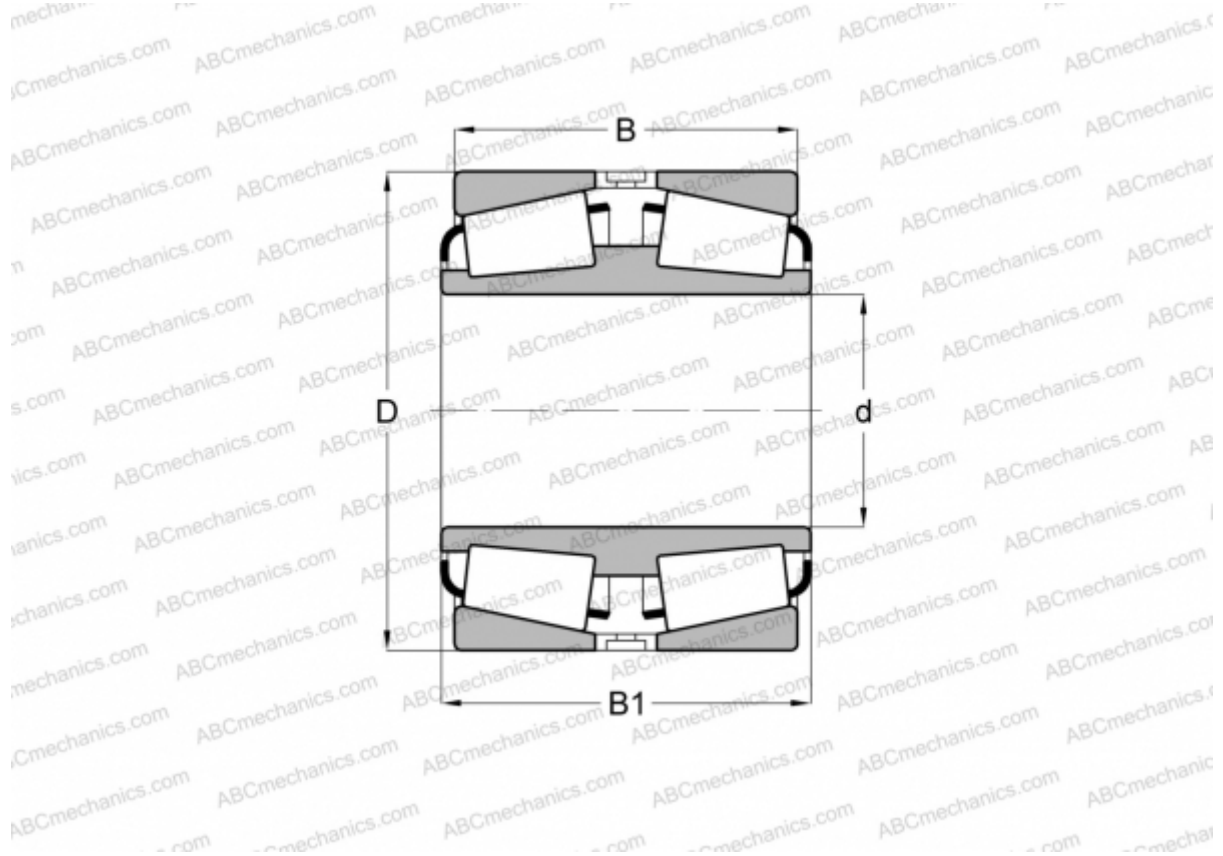


## 542664 FAG

Tapered roller bearings

TYPE: Roller bearings, Tapered, Double row, For loose fit on the roll neck, design 1 (FAG)



### Technical specification

#### DIMENSIONS, MM

d	300,038
D	422,275
B	150,813
B1	150,813

**WEIGHT, KG** 67,800

**MANUFACTURER** [FAG](#)

#### INTERCHANGE

TIMKEN [HM256849DW.810](#)