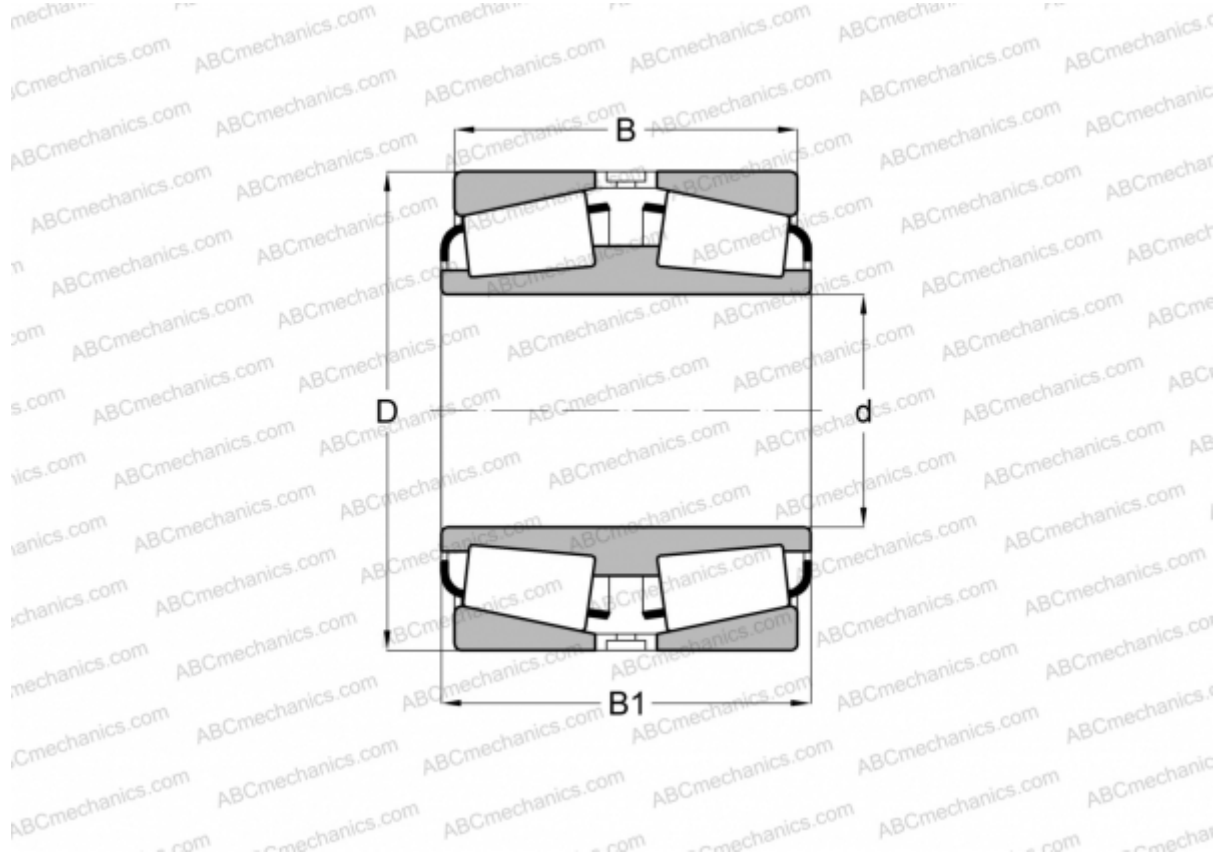


## EE129123DW.172 TIMKEN

Tapered roller bearings

TYPE: Roller bearings, Tapered, Double row, For loose fit on the roll neck, design 1 (FAG)



### Technical specification

#### DIMENSIONS, MM

d	305,000
D	438,048
B	133,350
B1	134,938

**WEIGHT, KG** 68,000

**MANUFACTURER** [TIMKEN](#)

#### INTERCHANGE

FAG [575744](#)