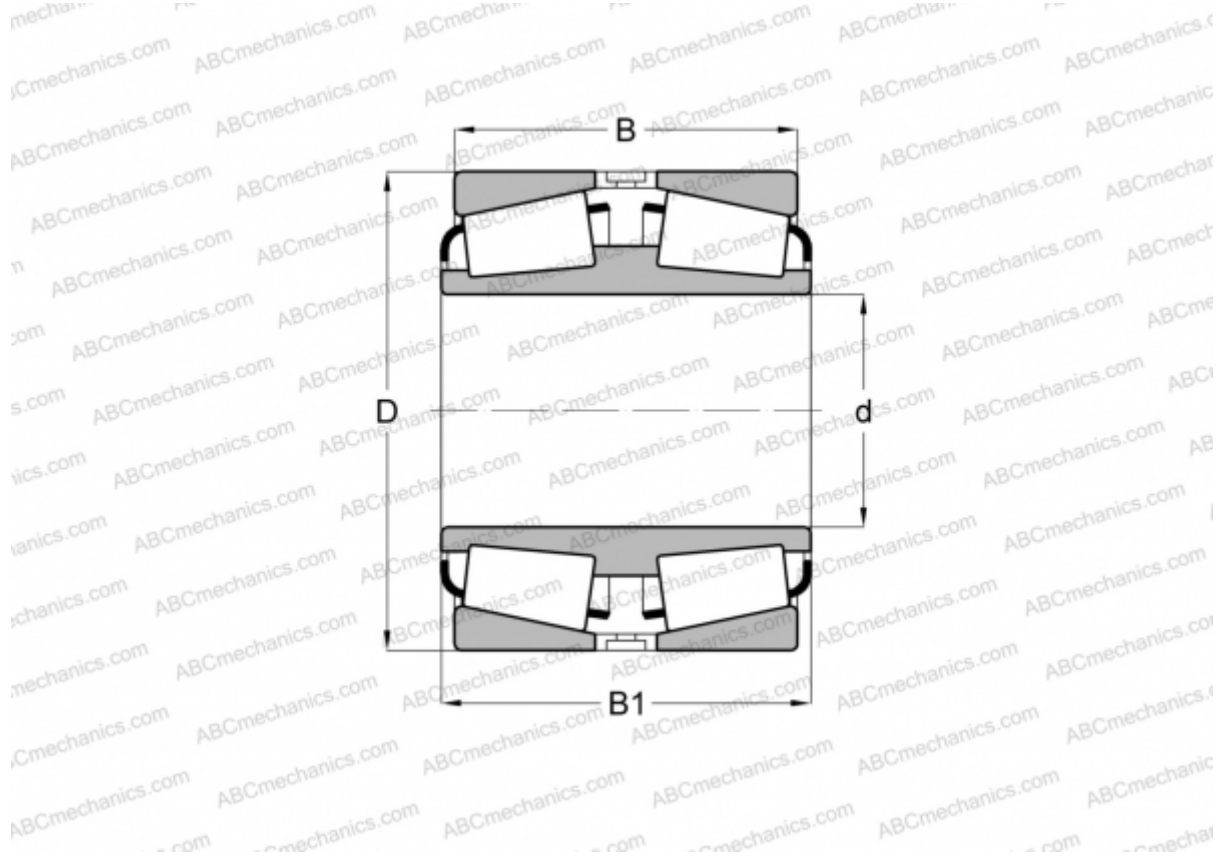


## 531821 FAG

Tapered roller bearings

TYPE: Roller bearings, Tapered, Double row, For loose fit on the roll neck, design 1 (FAG)



### Technical specification

#### DIMENSIONS, MM

|    |         |
|----|---------|
| d  | 406,400 |
| D  | 565,150 |
| B  | 184,150 |
| B1 | 184,150 |

**WEIGHT, KG** 145,000

**MANUFACTURER** [FAG](#)

#### INTERCHANGE

TIMKEN [M267949DW.910](#)