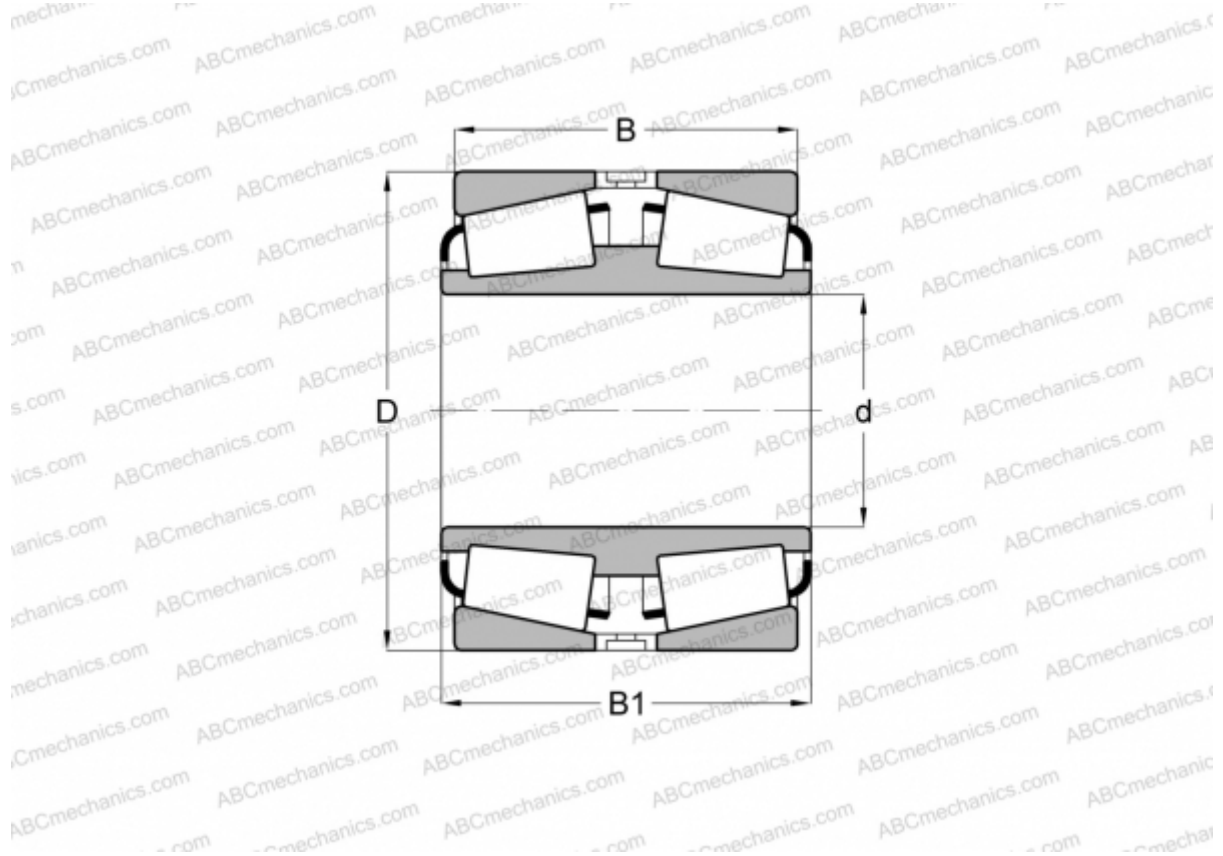


## 536245 FAG

Tapered roller bearings

TYPE: Roller bearings, Tapered, Double row, For loose fit on the roll neck, design 1 (FAG)



### Technical specification

#### DIMENSIONS, MM

d	508,000
D	762,000
B	219,075
B1	219,075

**WEIGHT, KG** 351,000

**MANUFACTURER** [FAG](#)

#### INTERCHANGE

TIMKEN [EE531201DW.300](#)