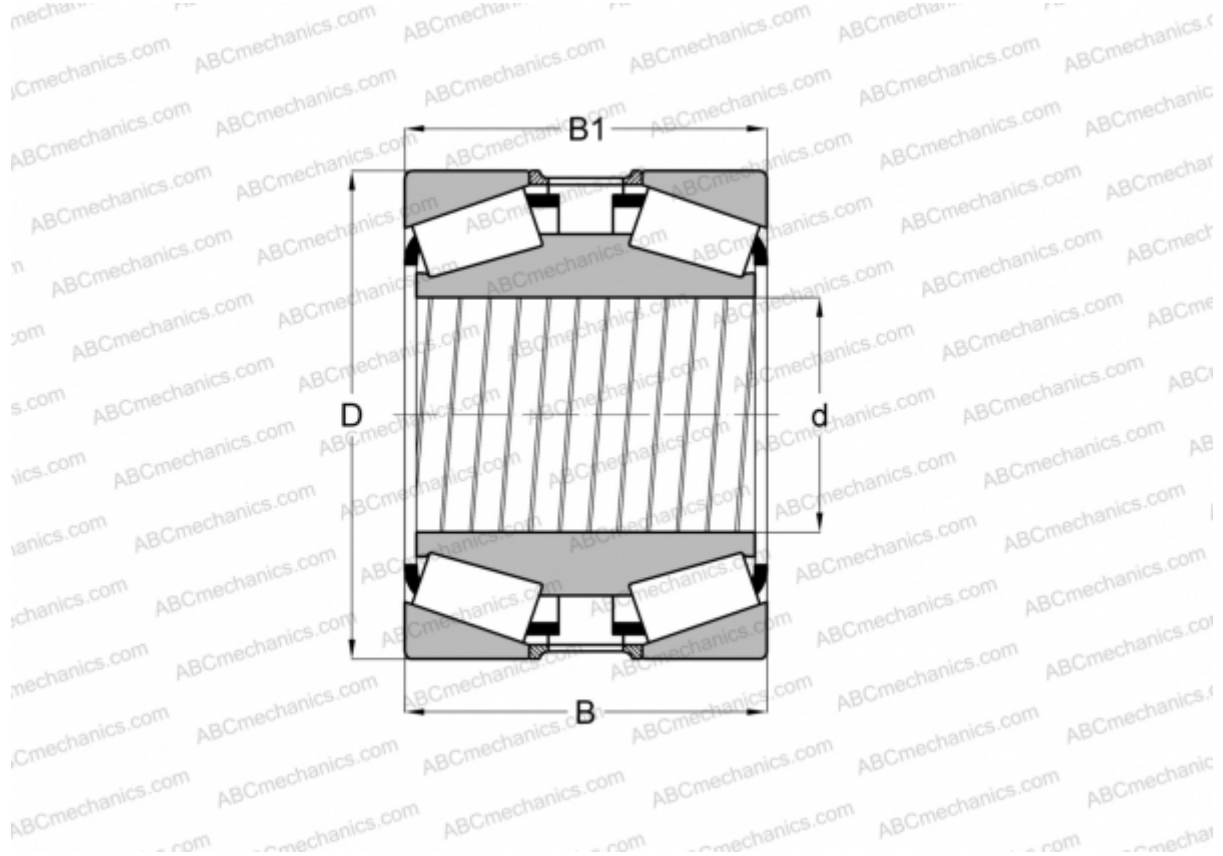


HM266449DW.410 TIMKEN

Tapered roller bearings

TYPE: Roller bearings, Tapered, Double row, For loose fit on the roll neck, design 2 (FAG)



Technical specification

DIMENSIONS, MM

d	384,175
D	546,100
B	193,675
B1	193,675

WEIGHT, KG 149,000

MANUFACTURER [TIMKEN](#)

INTERCHANGE

FAG [518240A](#)