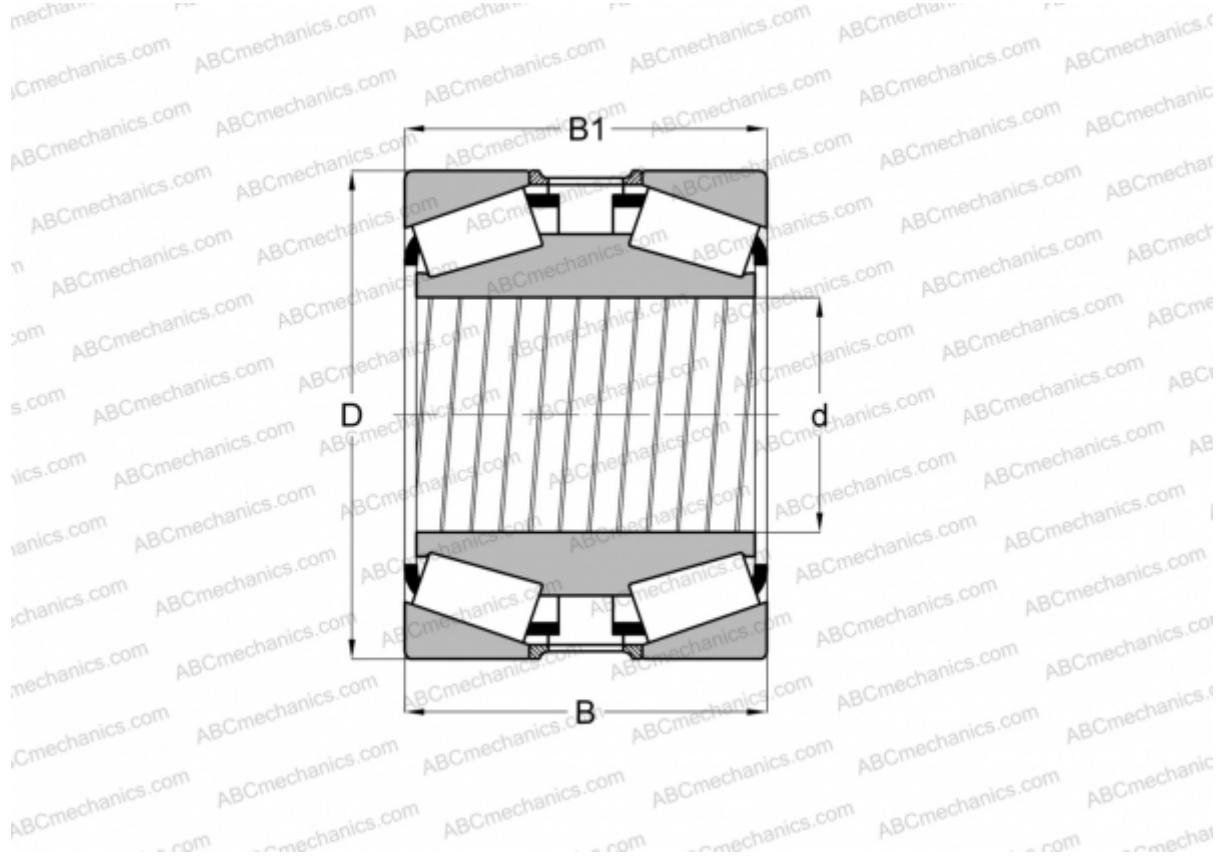


LM767749DW.710 TIMKEN

Tapered roller bearings

TYPE: Roller bearings, Tapered, Double row, For loose fit on the roll neck, design 2 (FAG)



Technical specification

DIMENSIONS, MM

d	406,400
D	546,100
B	138,112
B1	138,112

WEIGHT, KG 89,000

MANUFACTURER [TIMKEN](#)

INTERCHANGE

FAG [804701](#)