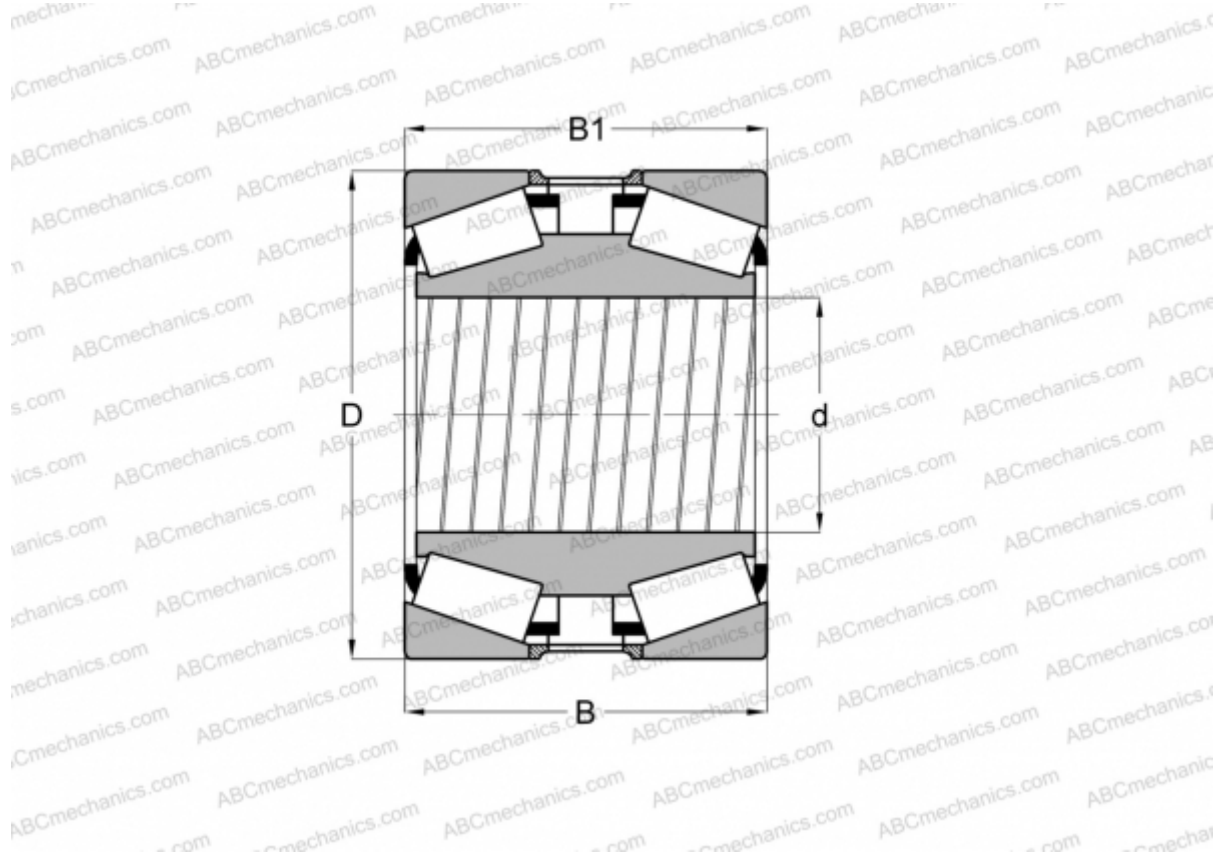


M274149DW.110 TIMKEN

Tapered roller bearings

TYPE: Roller bearings, Tapered, Double row, For loose fit on the roll neck, design 2 (FAG)



Technical specification

DIMENSIONS, MM

| | |
|----|---------|
| d | 501,650 |
| D | 711,200 |
| B | 250,825 |
| B1 | 250,825 |

WEIGHT, KG 320,000

MANUFACTURER [TIMKEN](#)

INTERCHANGE

FAG [503772](#)