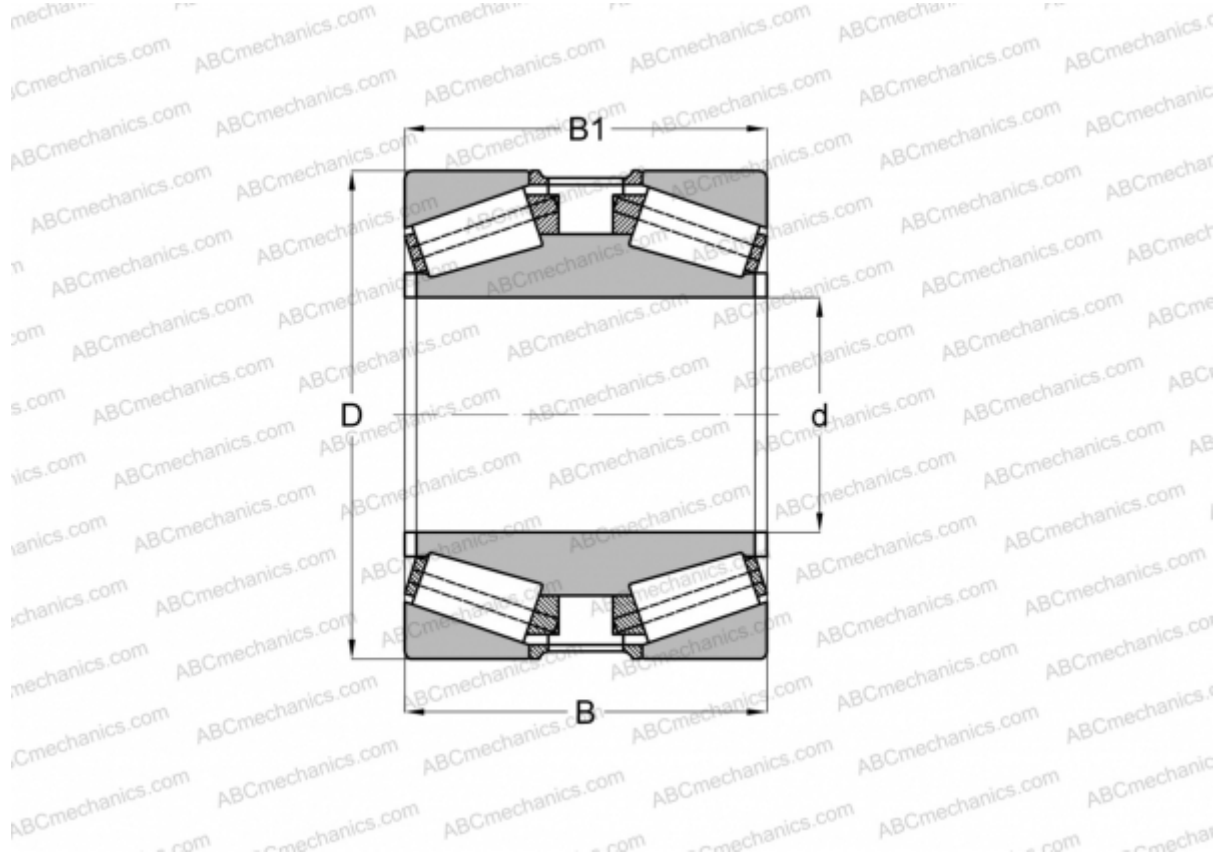


533805 FAG

Tapered roller bearings

TYPE: Roller bearings, Tapered, Double row, For loose fit on the roll neck, design 3 (FAG)



Technical specification

DIMENSIONS, MM

d	384,175
D	546,100
B	193,675
B1	193,675

WEIGHT, KG 150,000

MANUFACTURER [FAG](#)

INTERCHANGE

TIMKEN [HM266449D.410](#)