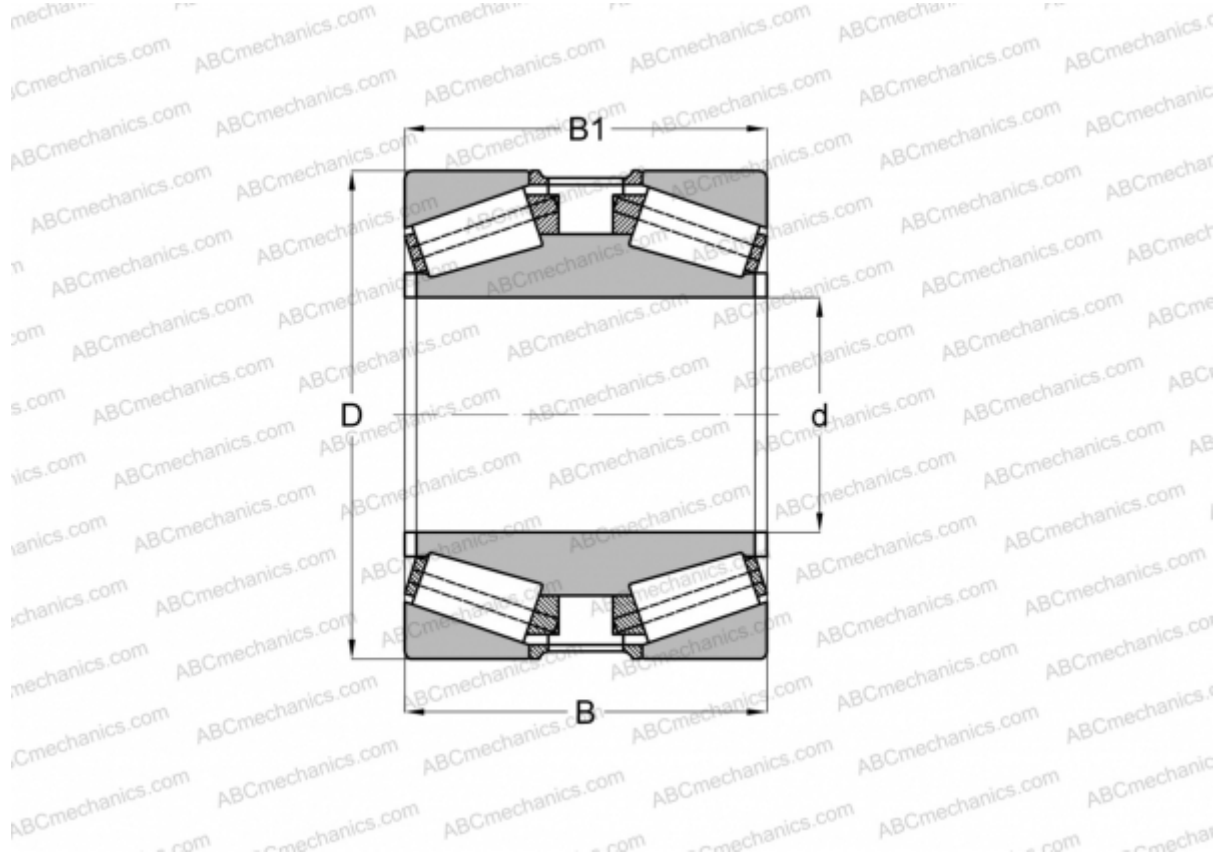


## HM266449D.410 TIMKEN

Tapered roller bearings

TYPE: Roller bearings, Tapered, Double row, For loose fit on the roll neck, design 3 (FAG)



### Technical specification

#### DIMENSIONS, MM

d	384,175
D	546,100
B	193,675
B1	193,675

**WEIGHT, KG** 150,000

**MANUFACTURER** [TIMKEN](#)

#### INTERCHANGE

FAG [533805](#)