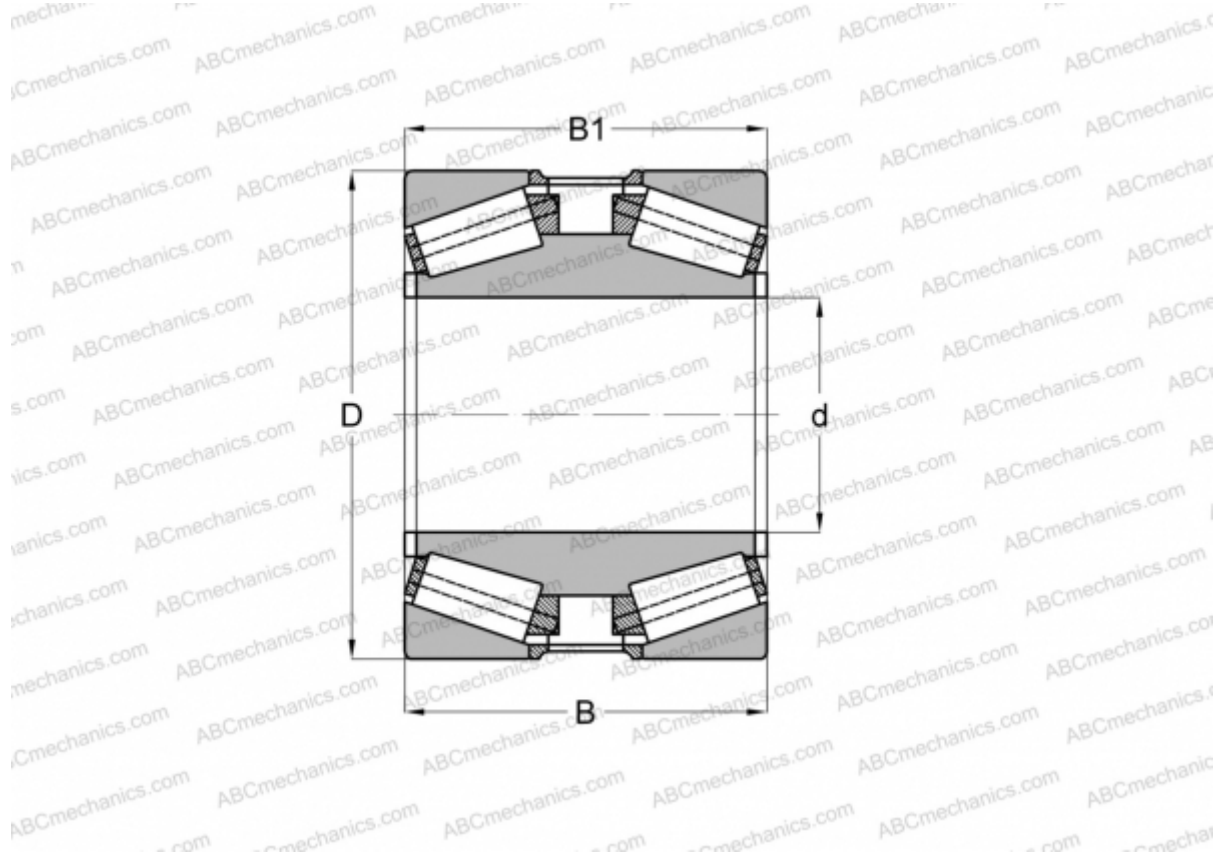


## 532273 FAG

Tapered roller bearings

TYPE: Roller bearings, Tapered, Double row, For loose fit on the roll neck, design 3 (FAG)



### Technical specification

#### DIMENSIONS, MM

d	520,000
D	820,000
B	300,000
B1	300,000

**WEIGHT, KG** 610,000

**MANUFACTURER** [FAG](#)