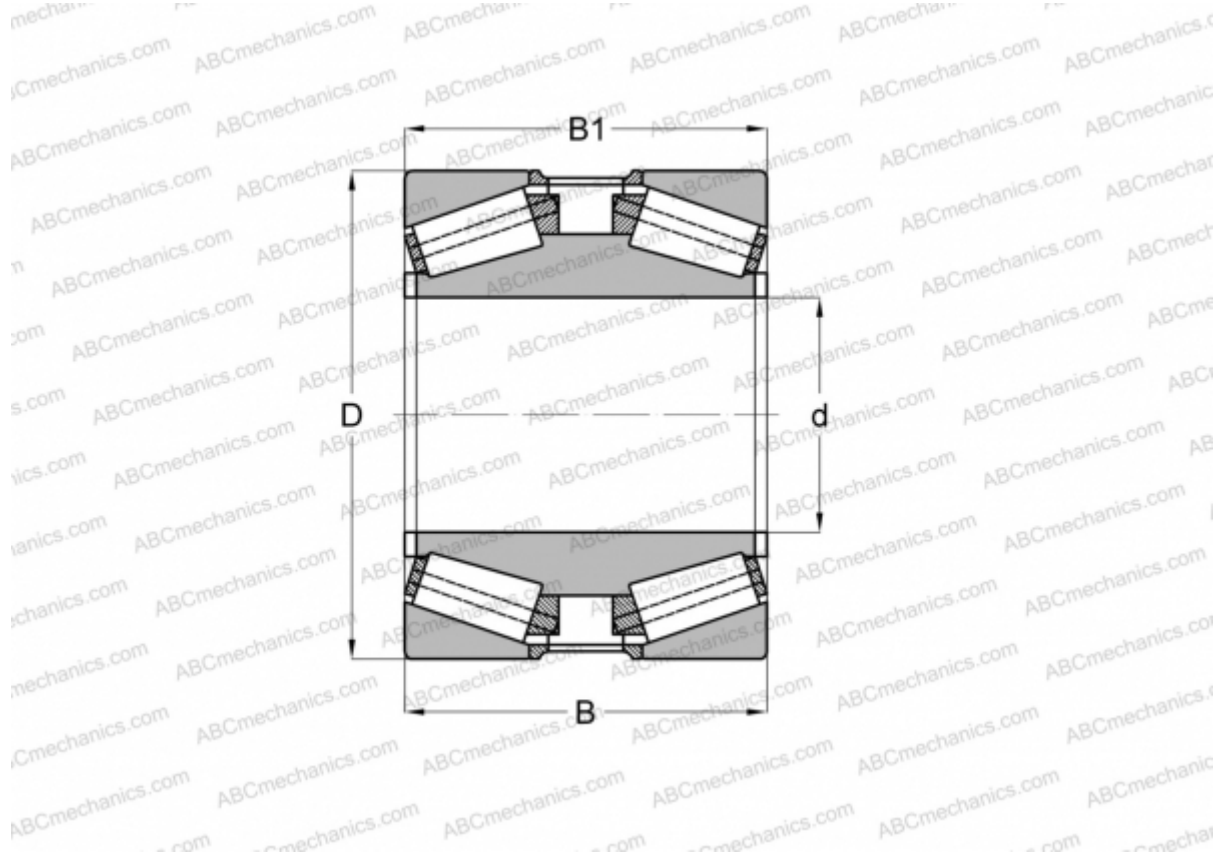


## 543718 FAG

Tapered roller bearings

TYPE: Roller bearings, Tapered, Double row, For loose fit on the roll neck, design 3 (FAG)



### Technical specification

#### DIMENSIONS, MM

d	571,500
D	812,800
B	285,750
B1	285,750

**WEIGHT, KG** 505,000

**MANUFACTURER** [FAG](#)

#### INTERCHANGE

TIMKEN [M278749DW.710](#)